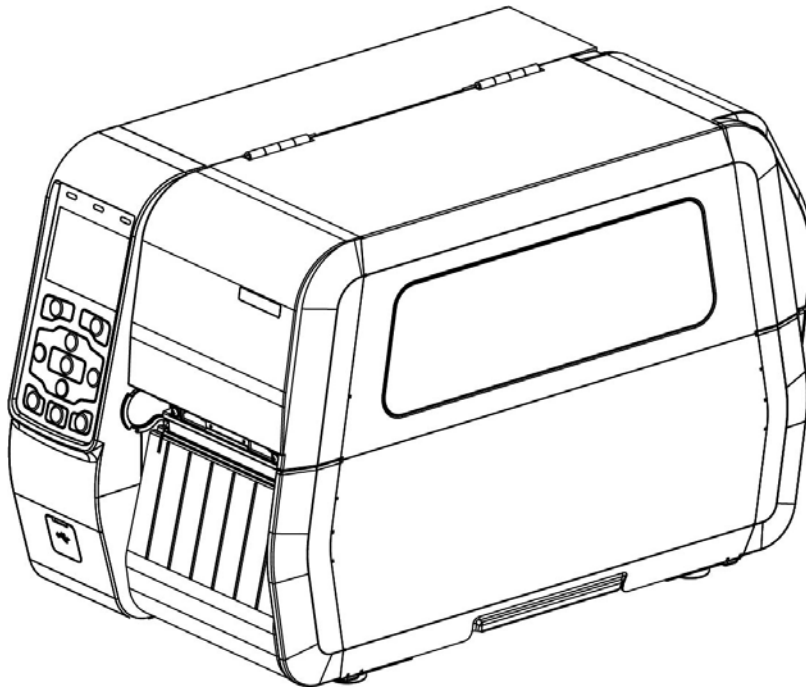


BIXOLON®

User's Manual
XT5-40 Series

Industrial Label Printer
Ver. 1.00



<http://www.bixolon.com>

Introduction

XT5-40 series printers have been designed to be connected to various types of electronic devices such as computer peripheral devices.

※ The main features of the printer are as follows

1. Industrial Label Printer
2. Thermal Transfer / Direct Thermal Printing
3. Max 356mm/s Print Speed
4. Print Width/Length: 104mm/4,000mm(XT5-40), 105.7mm/2,500mm(XT5-43), 105.6mm/1000mm(XT5-46)
5. Media Width/Outer Diameter/Inner Diameter/Thickness: 25~114mm/203mm/ 1.5~3inch (ID 1 inch Core: Optional)/0.06~0.3mm
6. Ribbon Width/Length/Type: Max 110mm/450m/Wax, Wax Resin, Resin, Outside, Inside
7. Movable Transmissive Sensor, Movable Reflective Sensor
- 8.512MByte Flash/512MByte SDRAM
- 9.3.5 Inch Color Graphics TFT LCD + Keypad
10. Option: Auto Cutter, Rewinder, Peeler
11. Support Interface: USB, Serial, Parallel, Ethernet, WLAN, Bluetooth

It is advisable to read the contents of this manual carefully before using the printer for the first time.

※ Use only authorized supplies that can be trusted!

- We are not responsible for quality and service for damage caused by the use of unauthorized products (or recycled ones).

Table of Contents

1. Content Confirmation	9
2. Product Part Names	10
2-1 Printer Part Names.....	10
2-2 Major Control Part Names.....	13
2-2-1 Control Panel	13
2-2-2 Detailed Descriptions	14
3. Installation & Usage	18
3-1 Printer Installation Placings	18
3-2 Power Connection	19
3-3 Interface	20
3-3-1 Standard Interface.....	20
3-3-2 Option Interface.....	21
3-4 Media Installation	22
3-4-1 Media Installation Method of Standard Model	22
3-4-2 Media Installation Method of Auto Cutter (optional) Model.....	25
3-4-3 Media Installation Method of Rewinder(optional) Model.....	26
3-4-4 Media Installation Method of Peeler (optional) Model	28
3-4-5 Media Installation method for 1inch Media Core (optional) Model.....	31
3-4-6 How To Install Media Externally	32
3-5 Ribbon Installation.....	33
3-5-1 Ribbon Type	33
3-5-2 Ribbon Installation Method.....	34
3-5-3 Load Adjustment by Ribbon Length	35
3-5-4 Ribbon Remove Method	36
3-6 Print Head Load Control Method.....	37
3-7 Ribbon Guide Control Method.....	38
4. Printer Setting.....	39
4-1 Menu Composition	39
4-2 Menu Select Method	42
4-3 Setting Confirm Method.....	44
4-4 Setting Menu Explanation	46
4-5 Interface Menu Explanation.....	50
4-5-1 Serial.....	50
4-5-2 Ethernet	51
4-5-3 WLAN.....	52
4-5-4 Bluetooth	54
4-6 Sensor Menu Explanation	55
4-7 Files Menu Explanation	56
4-7-1 Saved File	56
4-7-2 Twin Function	56
4-7-3 Firmware Update.....	59
4-8 Tools Menu Explanation.....	60
4-9 Info Menu Explanation.....	62

5. Maintenance.....63
5-1 Cleaning Printer 63
5-2 Cleaning Print Head 64
5-3 Cleaning Platen Roller..... 65
5-4 Cleaning Auto Cutter (optional) 66
5-5 Cleaning Peeler Module (optional) 67

6. Printer Specifications68

Manual Information

This user's guide contains basic information for product usage as well as for emergency measures that may be required.

※ The following separate manuals provide more detailed content on various technological issues and areas.

1. Windows Driver Manual

This manual provides information on the installation instructions and main functions of the Windows Driver.

2. Unified Label Utility-II Manual

This manual provides information on the usage of software for function selection of this product, operating condition modification, etc.

3. Programming (SLCS) Manual

This manual provides information on label printer commands.

4. True Type Font Downloader Manual

This manual provides information on the usage of the font downloader that can download True Fonts and facilitate their usage as Device Fonts.

5. Network Manual

This manual provides information on the configuration and usage of Ethernet and WLAN interface.

6. Label Design Program Manual

This manual provides information on the usage of the Windows PC program that can make labels by adding text, graphics, or barcodes at desired positions.

Safety Information







Warning: Warnings must be heeded carefully in order to prevent serious physical harm.



Caution: Cautions must be heeded in order to prevent minor injuries, equipment damage, or data loss.

Symbol Information

	AC (Alternating current)
	DC (Direct current)
	Note, Caution, Warning
	USB

Safety Precautions

In using the present appliance, please keep the following safety regulations in order to prevent any hazard or material damage.

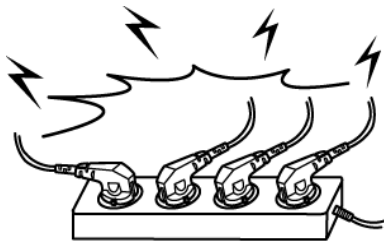


WARNING

Warnings must be heeded carefully in order to prevent serious physical harm.

Do not plug several products in one multi-outlet.

- This can provoke over-heating and a fire.
- If the plug is wet or dirty, dry or wipe it before usage.
- If the plug does not fit perfectly with the outlet, do not plug in.
- Be sure to use only standardized multi-outlets.



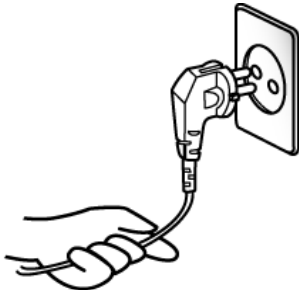
Use only the supplied parts for AC/DC power enclosed.

- Do not use any other AC/DC enclosed as it may incur danger.



Do not pull the cable to unplug.

- This can damage the cable, which is the origin of a fire or a breakdown of the printer.



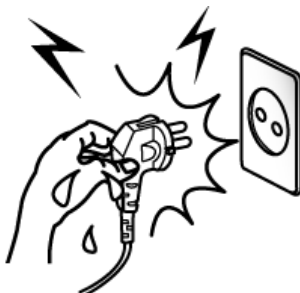
Keep the plastic bag out of children's reach.

- If not, a child may put the bag on his head.



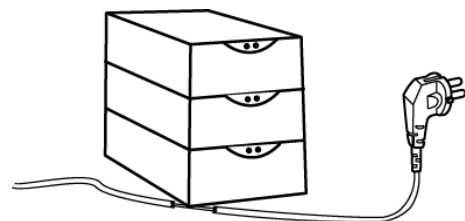
Do not plug in or unplug with your hands wet.

- You can be electrocuted.



Do not bend the cable by force or leave it under any heavy object.

- A damaged cable can cause a fire.





CAUTION

Cautions must be heeded in order to prevent minor injuries, equipment damage, or data loss.

If you observe a strange smoke, odor or noise from the printer, unplug it before taking following measures.

- Switch off the printer and unplug the set from the mains.
- After the disappearance of the smoke, call your dealer to repair it.

TO UNPLUG



Keep the desiccant out of children's reach.

- If not, they may eat it.

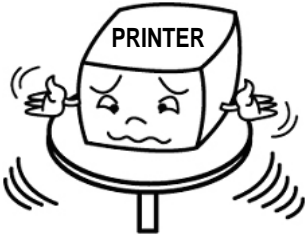
PROHIBIT



Install the printer on the stable surface.

- If the printer falls down, it can be broken and you can hurt yourself.

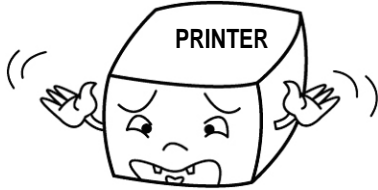
PROHIBIT



Use only approved accessories and do not try to disassemble, repair or remodel it for yourself.

- Call your dealer when you need these services.
- Do not touch the blade of auto cutter.

DISASSEMBLING PROHIBITED



Do not let water or other foreign objects in the printer.

- If this happened, switch off and unplug the printer before calling your dealer.

PROHIBIT



Do not use the printer when it is out of order. This can cause a fire or an electrocution.

- Switch off and unplug the printer before calling your dealer.

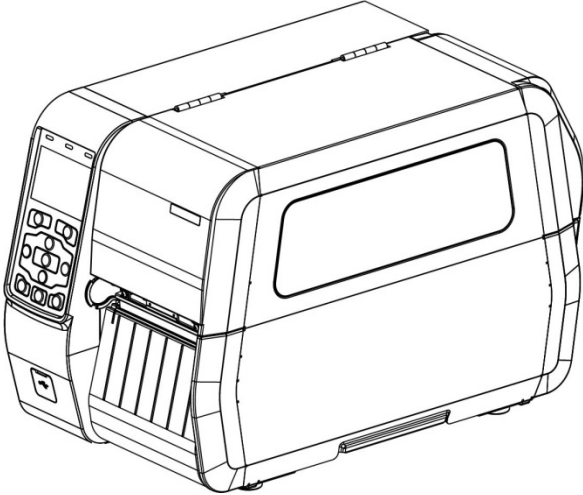
TO UNPLUG



1. Content Confirmation

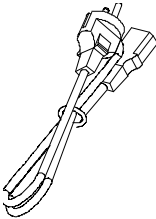
The following items should all be contained in the printer package.
Contact the dealer from which the purchase was made if any item is damaged and/or missing.

- Product




XT5-40 Series

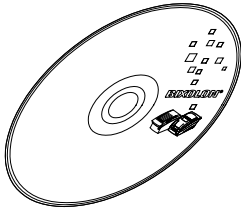
- Basic Components



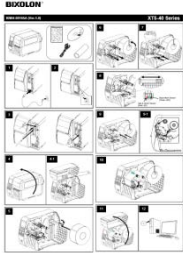
Power Cord



Ribbon Core




CD




Quick Manual


- Option Components



Serial(RS-232C) Cable



Parallel(IEEE1284) Cable

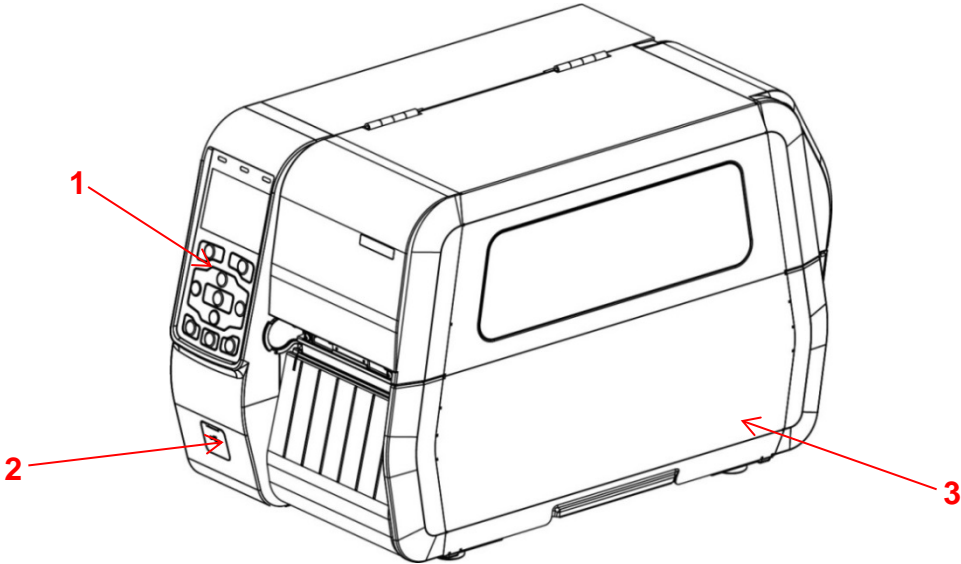


USB Cable

2. Product Part Names

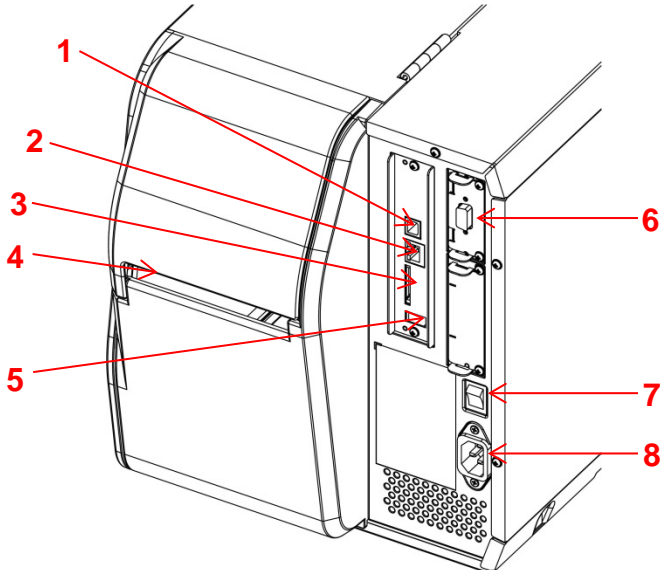
2-1 Printer Part Names

- Front



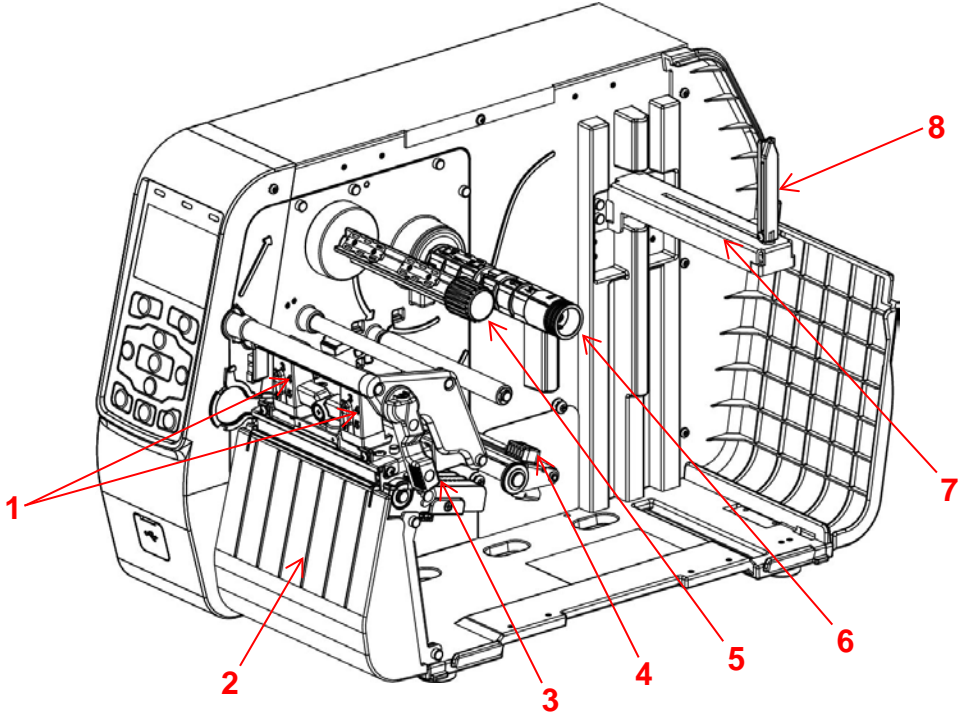
1	Control Panel	3	Media Cover
2	USB Host Port		

- Back

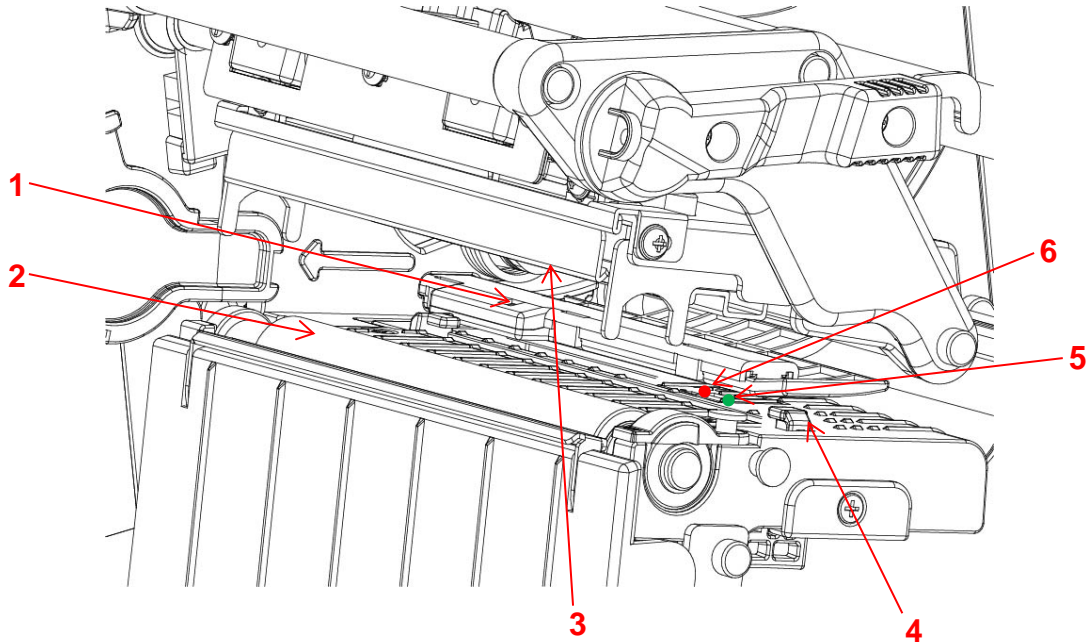


1	USB Port	5	USB Host Port
2	Ethernet Port	6	Serial(RS-232C) Port
3	SD Card Slot	7	Power Switch
4	Rear Access Slot(Media)	8	Power Connector

- Internal

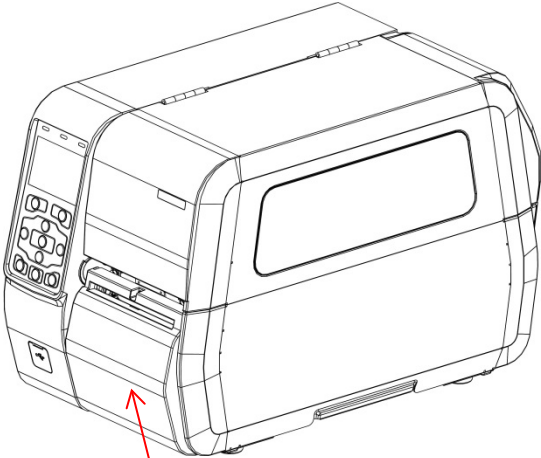


1	Print Head Pressure Adjustment	5	Ribbon Take-up Spindle
2	Cover STD	6	Ribbon Supply Spindle
3	Print Head Lever	7	Media Holder
4	Rear Media Guide	8	Media Fixing Guide

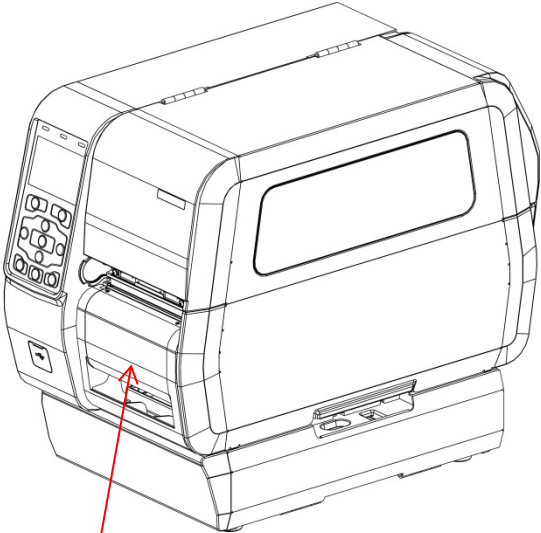


1	Ribbon Sensor	4	Front Media Guide
2	Platen Roller	5	Black Mark Sensor (Green LED)
3	Print Head	6	Gap & Notch Sensor (Red LED)

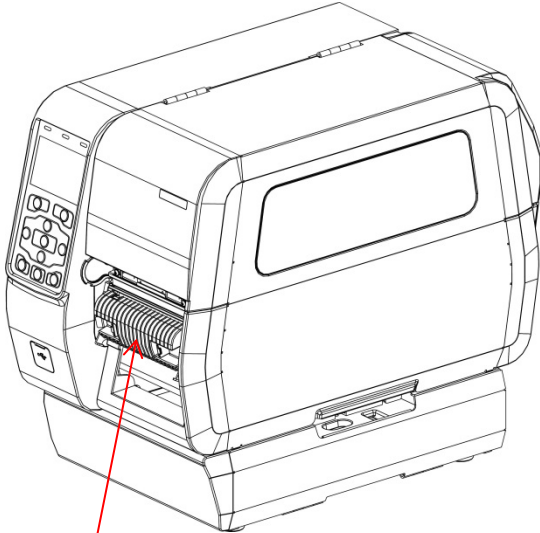
- Printer Option



Auto Cutter



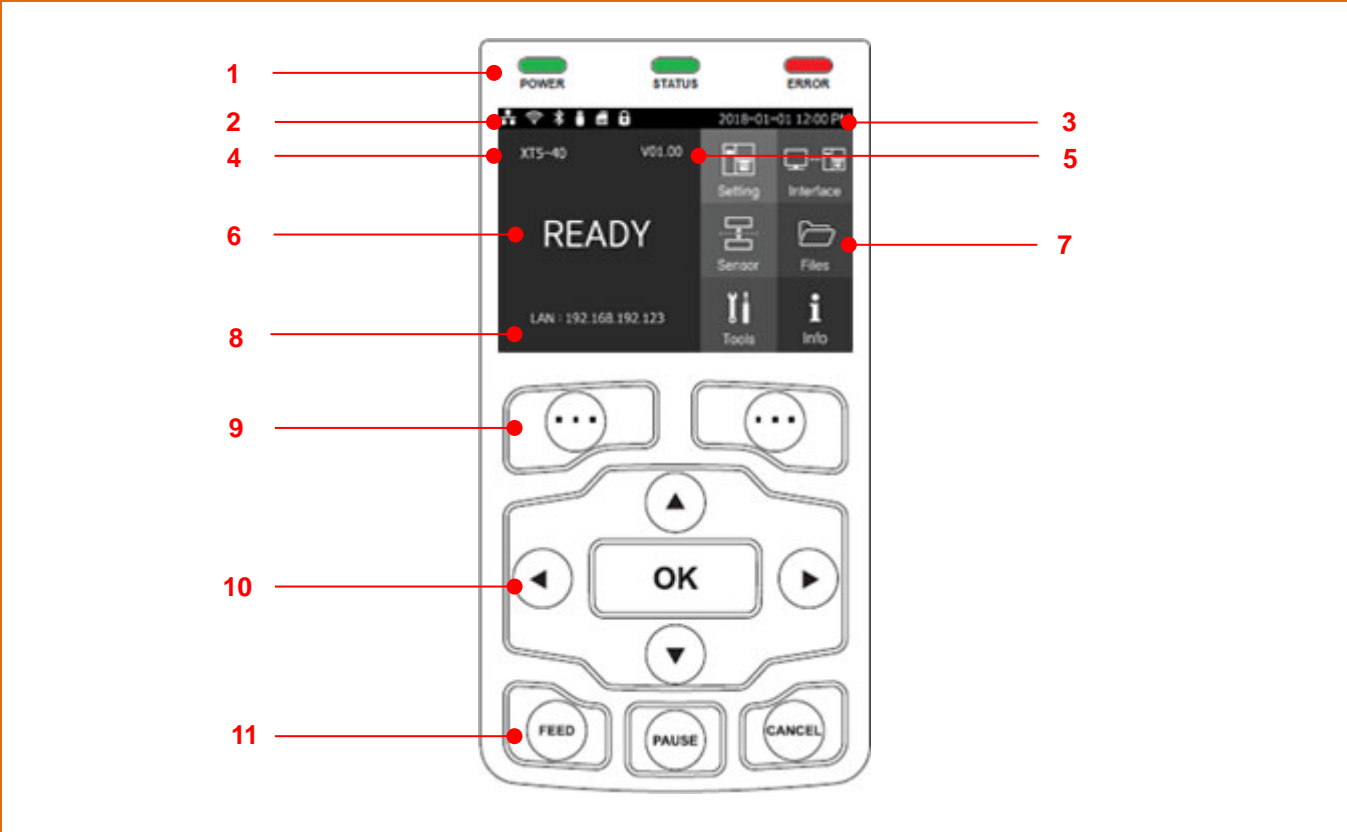
Rewinder



Peeler

2-2 Major Control Part Names


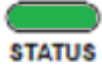
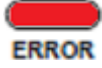
2-2-1 Control Panel












Number	Explanation
1	Printer status LED
2	Interface status icon
3	Date, Time
4	Model name
5	Firmware version
6	Printer status
7	Main icon
8	Ethernet IP, WLAN IP
9	Function button
10	Direction button, Selection button
11	Printer operation button

2-2-2 Detailed Descriptions

2-2-2-1 Printer Status LED

List	Status	Explanation
	ON	Printer power on
	OFF	Printer power off
	ON	Waiting for data reception
	BLINK	Receiving data
	BLINK	Print error
	OFF	In normal operation

2-2-2-2 Interface Status Icon

List	Status	Explanation
	ON	Ethernet is connected
	OFF	Ethernet is not connected
	ON	Not connected to AP
	OFF	WLAN communication is not supported
	ON	Connected to AP, Strength: 4
	OFF	Connected to AP, Strength: 3
	ON	Connected to AP, Strength: 2
	OFF	Connected to AP, Strength: 1
	ON	Bluetooth is not connected to the host
	OFF	Bluetooth communication is not supported
	ON	Bluetooth is connected to the host
	OFF	Bluetooth communication is not supported
	ON	USB device is connected
	OFF	USB device is not connected
	ON	SD card is installed
	OFF	SD card is not installed
	ON	Password feature is enabled
	OFF	Password feature is disabled

2-2-2-3 Date, Time (RTC clock)

List	Explanation
YYYY-MM-DD	Date
12:00 AM/PM	Time

2-2-2-4 Model Name

List	Explanation
XT5-40	Model name







2-2-2-5 Firmware Version

List	Explanation
V01.00	Firmware version

2-2-2-6 Printer Status

List	Explanation
READY	Ready for print
STANDBY	Standing by for user input - Pause button: Switch to Print Standby Mode without feeding any media - Feed button: Feed one sheet of media to align the media position and switch to the Print Standby Mode
PRINTING	In printing
PAUSE	Printing pause
CANCEL	Canceled printing
F/W Downloading	Downloading firmware
PRINT HEAD OPEN	Print head is open
PRINT HEAD OVER TEMP	Print head has reached the maximum temperature
PRINT HEAD COLD TEMP	Print head has reached the minimum temperature
AUTO CUTTER JAM	Media is stuck in the auto cutter blade
MEADIA OUT	Media is not installed correctly
RIBBON OUT	Ribbon is not installed correctly
MEADIA JAM	Media is jammed and not printing normally
SENSING FAIL	Media is not recognized normally

2-2-2-7 Main Icons

List	Explanation
 Setting	Printer settings
 Interface	Interface settings
 Sensor	Sensor settings
 Files	File settings
 Tools	Additional and other functions settings
 Info	Providing printer information


2-2-2-8 Ethernet IP, WLAN IP

List	Explanation
LAN: 192.168.100.123	Ethernet IP
WLAN: 192.168.100.123	WLAN IP (displayed only when WLAN is supported)




2-2-2-9 Function Button

List	Explanation
	Used for selection, cancellation, storing, and deletion

2-2-2-10 Direction Button, Selection Button

List	Explanation
	Used for menu selection

2-2-2-11 Printer Operation Button

List	Explanation
	Softly press and release the button to feed one label
	Press the button for 2 seconds during printing to pause printing
	Press the button for 2 seconds during printing to cancel printing

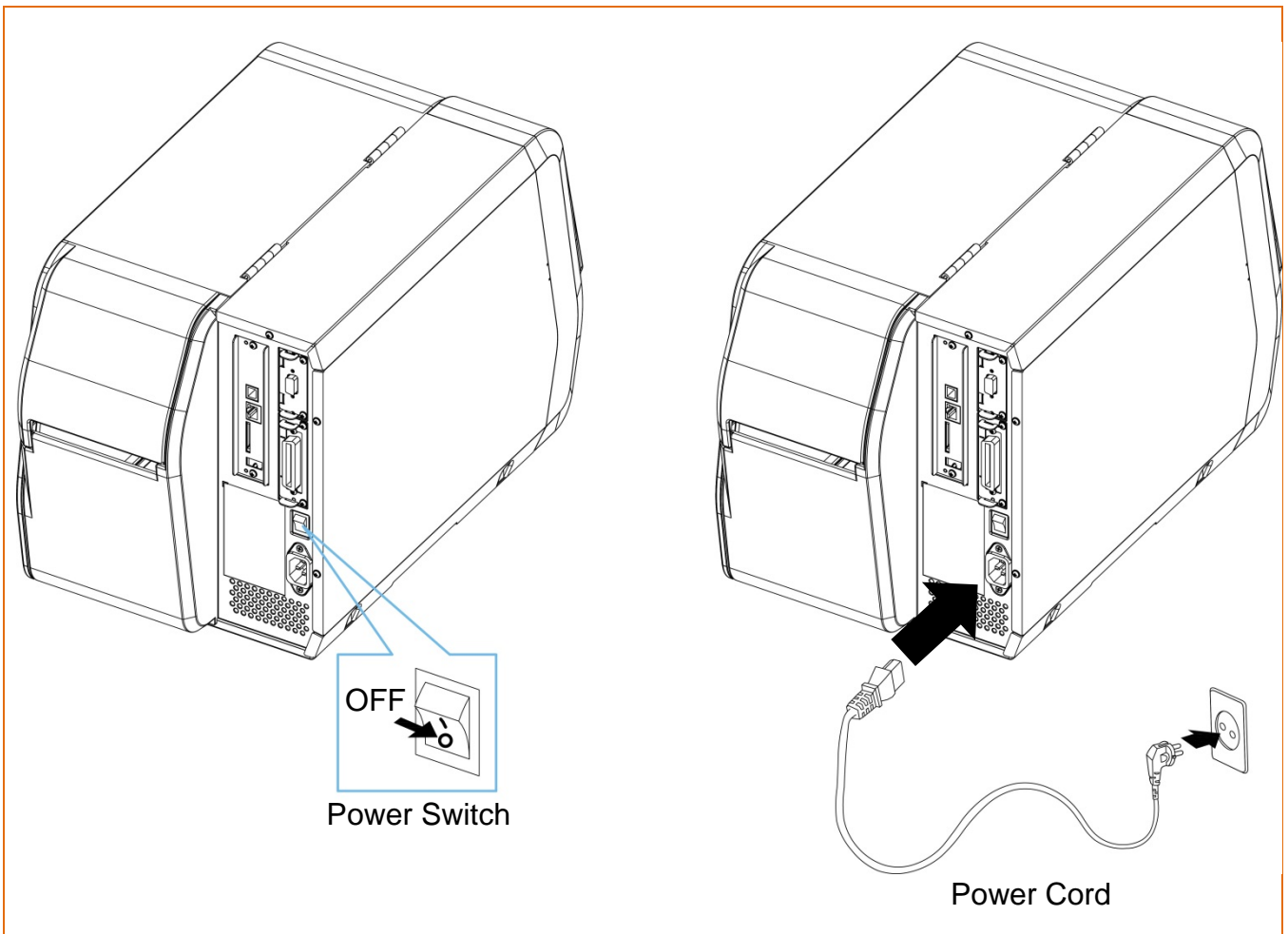
3. Installation & Usage

3-1 Printer Installation Placings



- Install the printer in a location that meets the following conditions.
 - Allow sufficient space around the printer for proper ventilation.
 - Do not place objects close to the back or bottom of the printer, which may hinder the air circulation.
 - Install the printer on a flat and level surface.
 - Avoid humid environment.
 - Install in a place that does not exceed the protocol standard of the wireless communication or the specified maximum distance.
 - For stable wireless communication, install in a place where there is no physical obstacle (wall, object, etc.).

3-2 Power Connection




- Connect power to the printer as shown below.



- 1) Turn off the printer power switch.
- 2) Connect the power cord to the power connector on the printer.
- 3) Connect the power cord to a power source/outlet.

 Caution	For the safety of people and equipment, please use the appropriate power cord for your country or region.
 Warning	<ul style="list-style-type: none">- Be sure to turn off the printer before connecting the power cord to the power connector. This can cause serious electrical damage and bodily injury.- Do not operate the printer and power supply in a humid environment. This can cause serious electrical damage and bodily injury.- Do not connect an input voltage beyond the specifications of the power supply. This may result in product damage and fire.

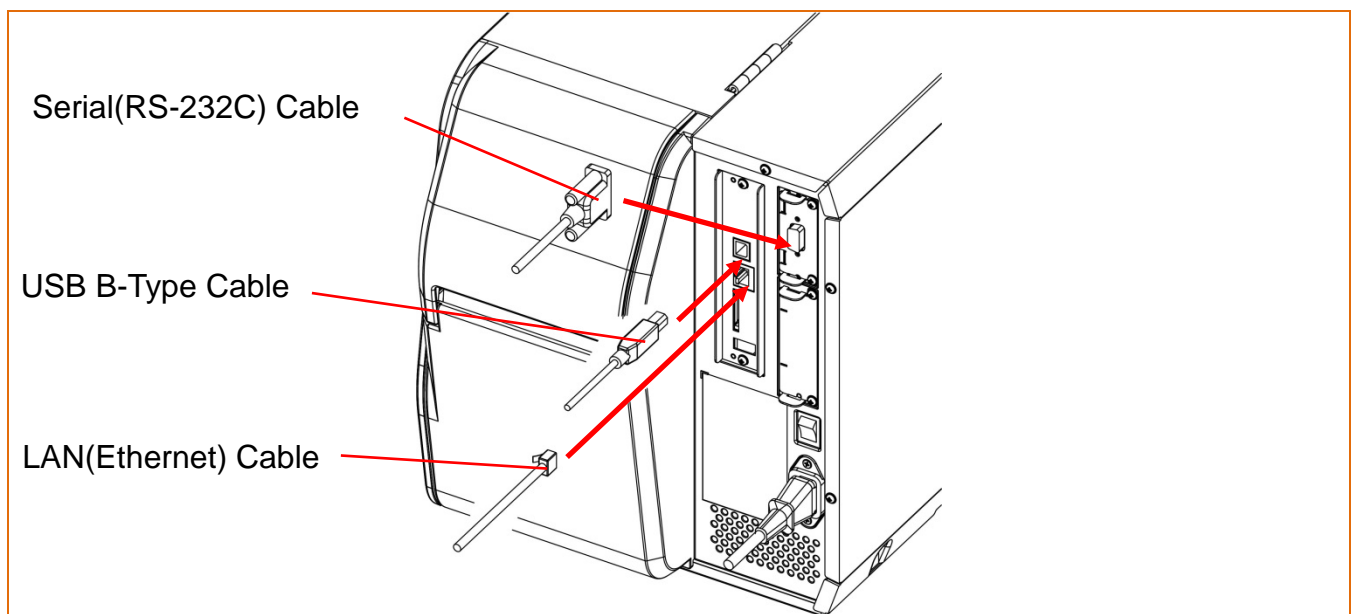
3-3 Interface

 Note	Shielded cables must be used to prevent radiation and reception of electrical noise. Use the shortest possible communication cable to minimize the detection of electrical noise in the cable. <ul style="list-style-type: none">- Serial(RS-232C) Cable (1.8m or less recommended)- Parallel(IEEE1284) Cable (1.8m or less with ferrite core recommended)- USB B-Type Cable (1.8m or less recommended)- LAN(Ethernet) Cable (3m or less, CAT-5 or higher UTP Cable)
 Caution	<ul style="list-style-type: none">- Connecting unshielded communication cables is in violation of EMC standards. Use the cable approved by us.- Do not bundle the communication cable with objects that may cause electrical noise and interference. The printer may be damaged.
 Warning	After turning off the power switch of printer, connect and disconnect the communication cable. This can cause serious electrical damage and bodily injury.


3-3-1 Standard Interface

This printer can use the following types of communication.

- LAN (Ethernet) Cable / USB B-Type Cable / Serial (RS-232C) Cable



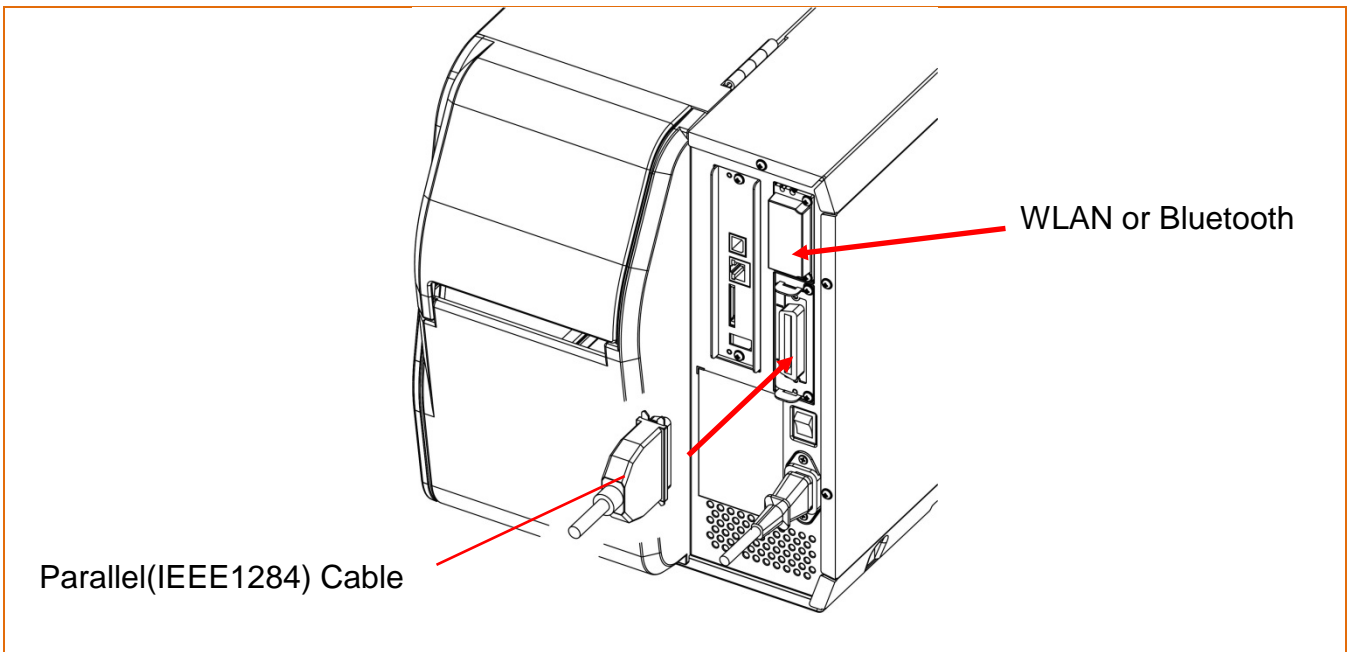
- 1) Turn off the power switch.
- 2) Connect the communication cable to the printer communication port to be used.
 - Connect the LAN(Ethernet) cable to the Ethernet port.
 - Connect the USB B-Type cable to the USB port.
 - Connect Serial(RS-232C) cable to the serial port and tighten both screws.

 Caution	Be aware that the product's electronic components may be damaged due to discharging of electrostatic energy that accumulates on the surface of the body or other objects.
--	---

3-3-2 Option Interface

This printer can use the following types of communication.

- WLAN / Bluetooth / Parallel(IEEE1284) Cable



- 1) Turn off the power switch.
- 2) Connect the communication cable to the printer communication port to be used.
 - Connect Parallel(IEEE1284) Cable to parallel port and fasten both clips.
 - Wireless interface does not require a separate cable connection



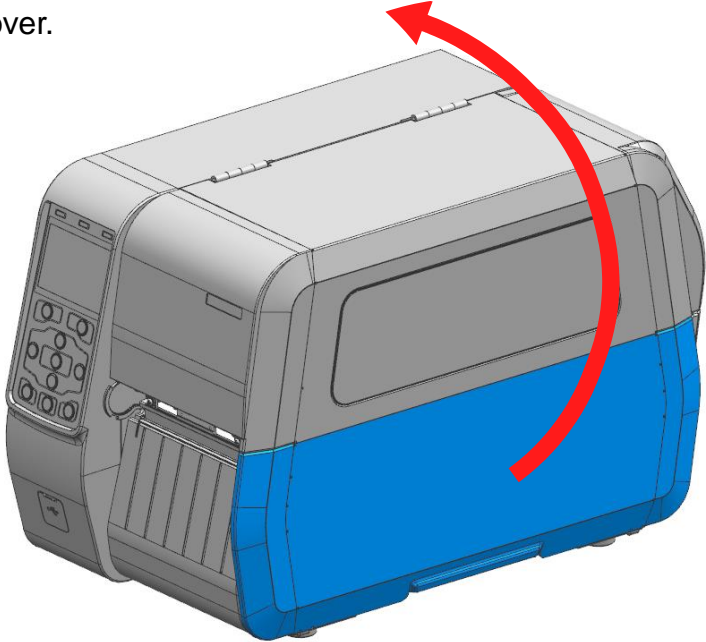
Be aware that the product's electronic components may be damaged due to discharging of electrostatic energy that accumulates on the surface of the body or other objects.

3-4 Media Installation

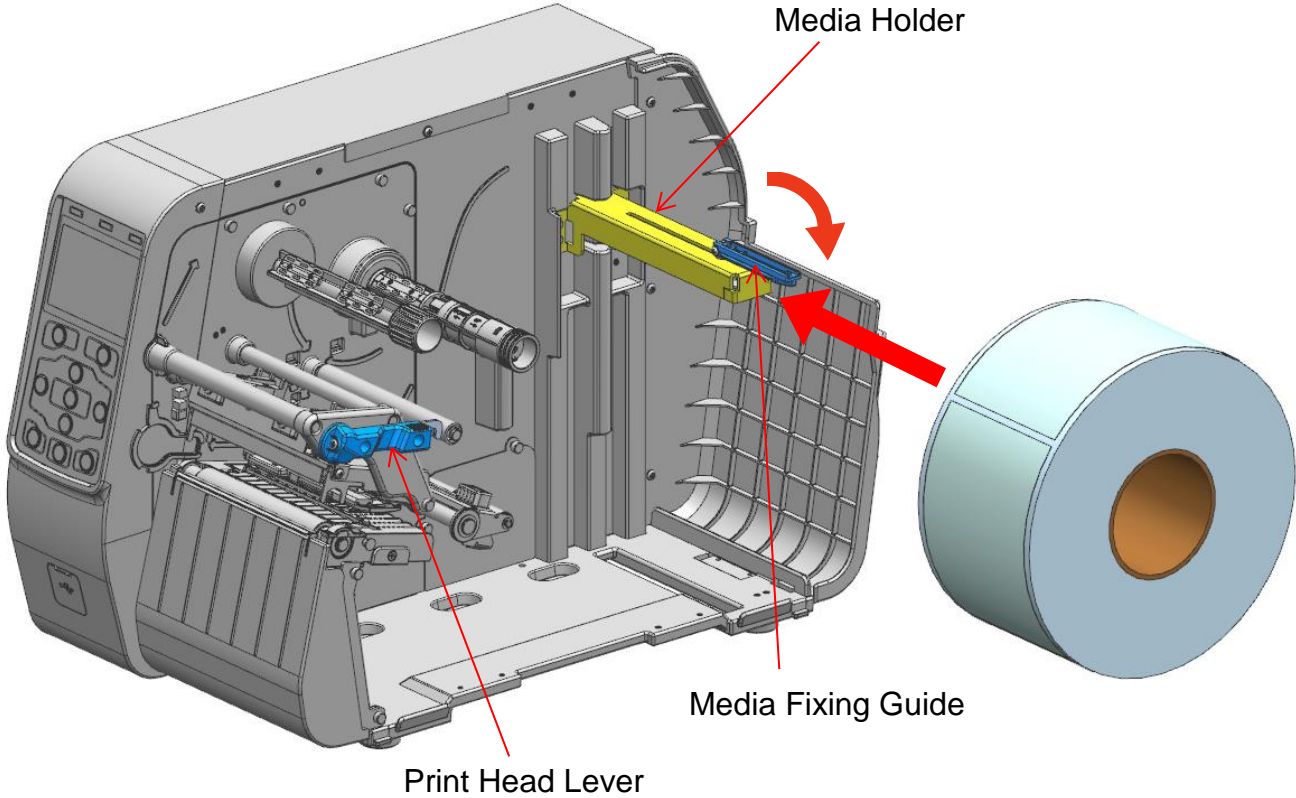
3-4-1 Media Installation Method of Standard Model

For standard models, install media in the following ways:

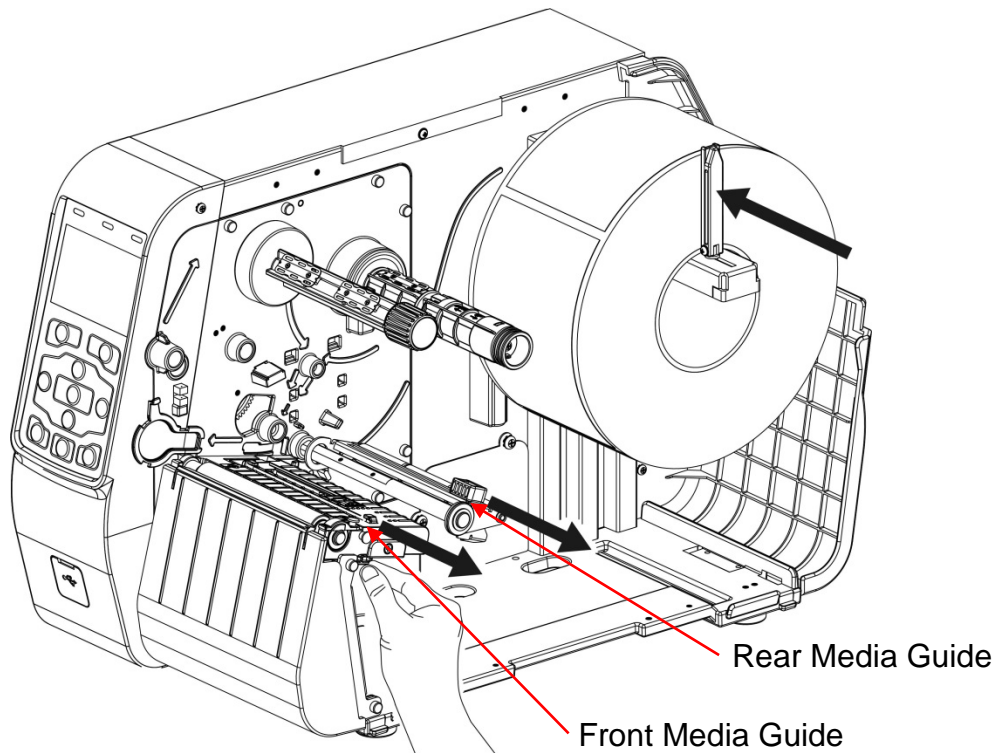
- 1) Open the media cover.



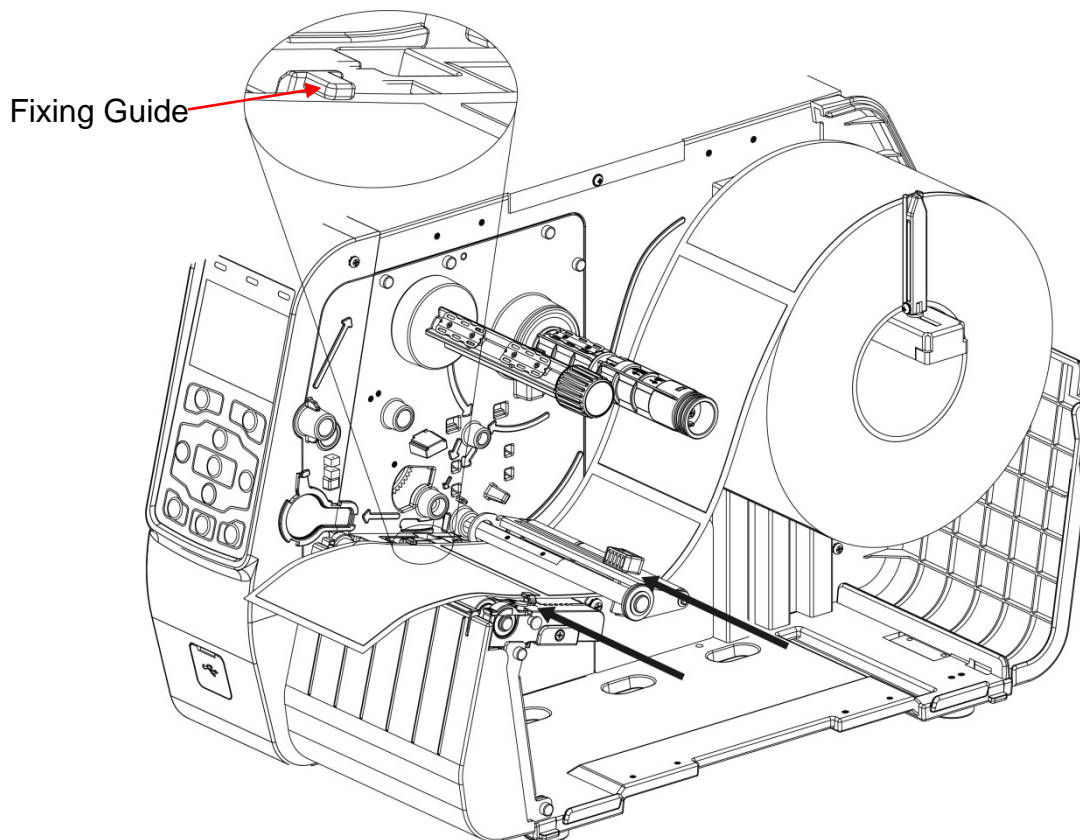
- 2) Open the print head lever. Flip down the media fixing guide and place the media in the media holder with print side up.



- 3) After flip up the media fixing guide, push the holder so that it is close to the media.
Push the front and rear media guides to the right.

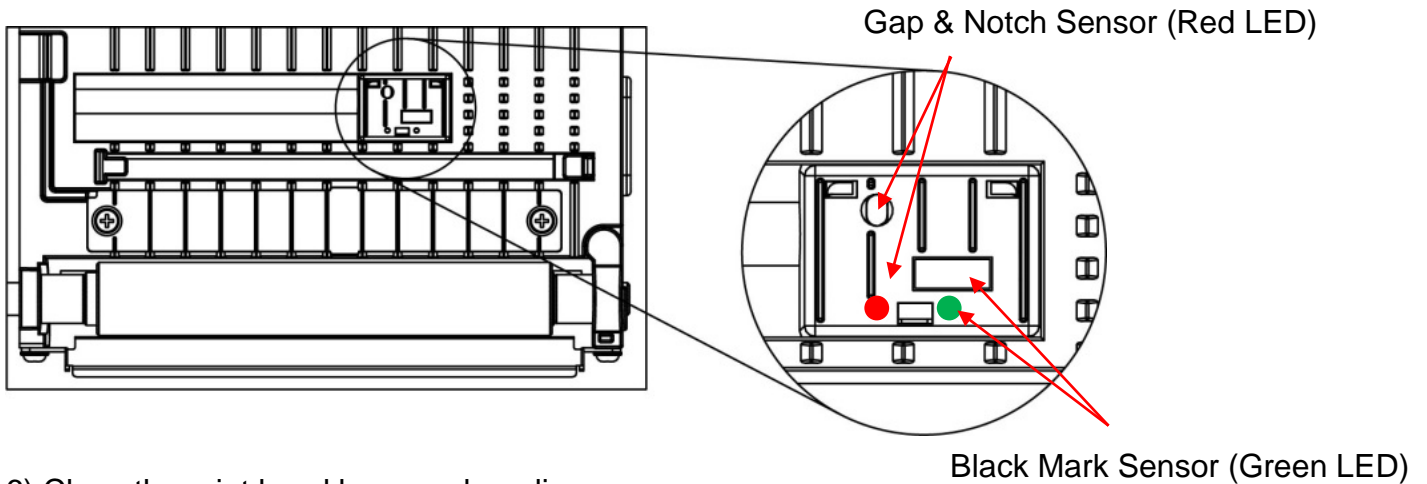


- 4) After inserting the media into the fixing guides, adjust the front and rear media guides to the media width.





XT5-40 Series

- 5) Please make sure the sensor position where media gap/black mark will pass through for sensing. Sensor(gap & notch sensor, black mark sensor) can be moved by the sensor lever. Check the sensor position with LED color.



- 6) Close the print head lever and media cover.

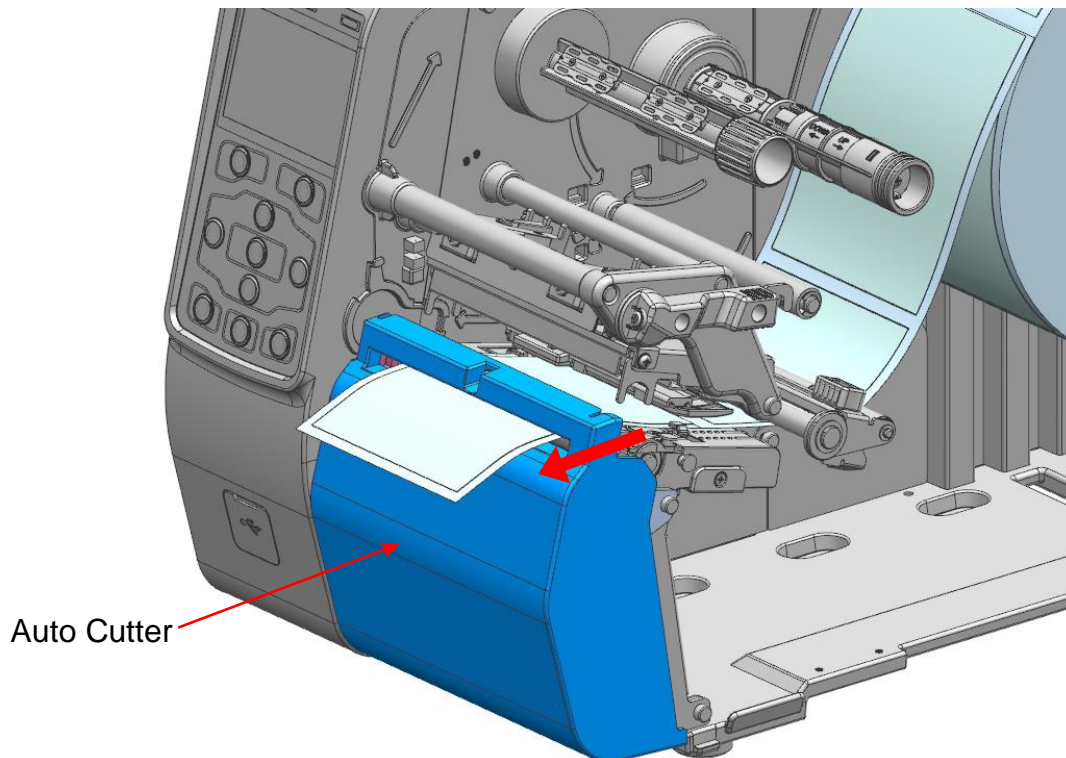
 Caution	<ul style="list-style-type: none">- When opening or closing the cover, be careful not to pinch your fingers.- Do not open the print head levers while the printer is printing. The printer may be damaged.- Change the media when the printer is not receiving data, or data may be lost.
 Warning	<p>While the printer is operating, the print head gets very hot, so turn off the power and let it cool down completely. The hot print head can cause serious burns.</p>

3-4-2 Media Installation Method of Auto Cutter (optional) Model



Use the autocutter to cut the printed media.

For Auto Cutter Model, install media in the following ways:

- 1) Refer to '3-4-1 Media Installation Method of Standard Model' to install media, adjust media guide and sensor position.
- 2) Install the media through the auto cutter as shown in the figure.



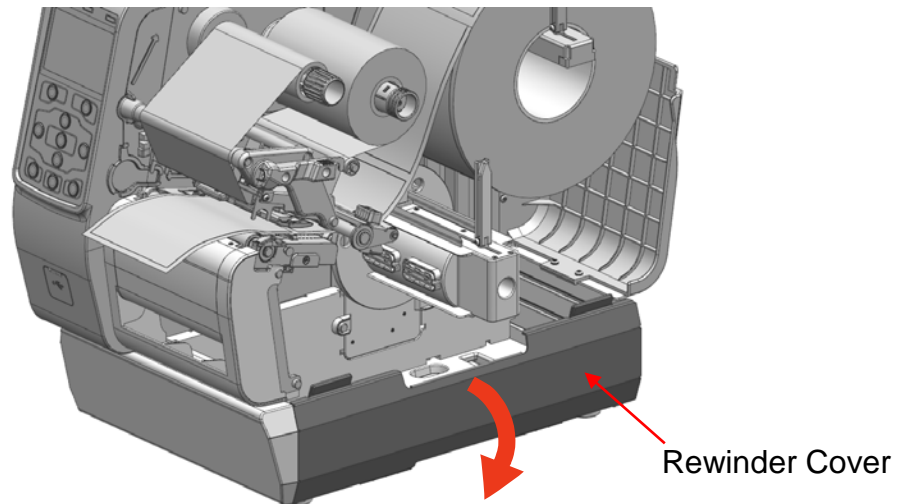
- 3) Close the print head lever and media cover.

 Caution	<ul style="list-style-type: none">- When opening or closing the cover, be careful not to pinch your fingers.- Do not open the print head levers while the printer is printing. The printer may be damaged.- Change the media when the printer is not receiving data, or data may be lost.
 Warning	<ul style="list-style-type: none">- Never insert objects or fingers while performing the cutting function. This can cause serious bodily injury.- Be careful not to touch the cutter blade with your hand. There may be a risk of personal injury.- While the printer is operating, the print head gets very hot, so turn off the power and let it cool down completely. The hot print head can cause serious burns.

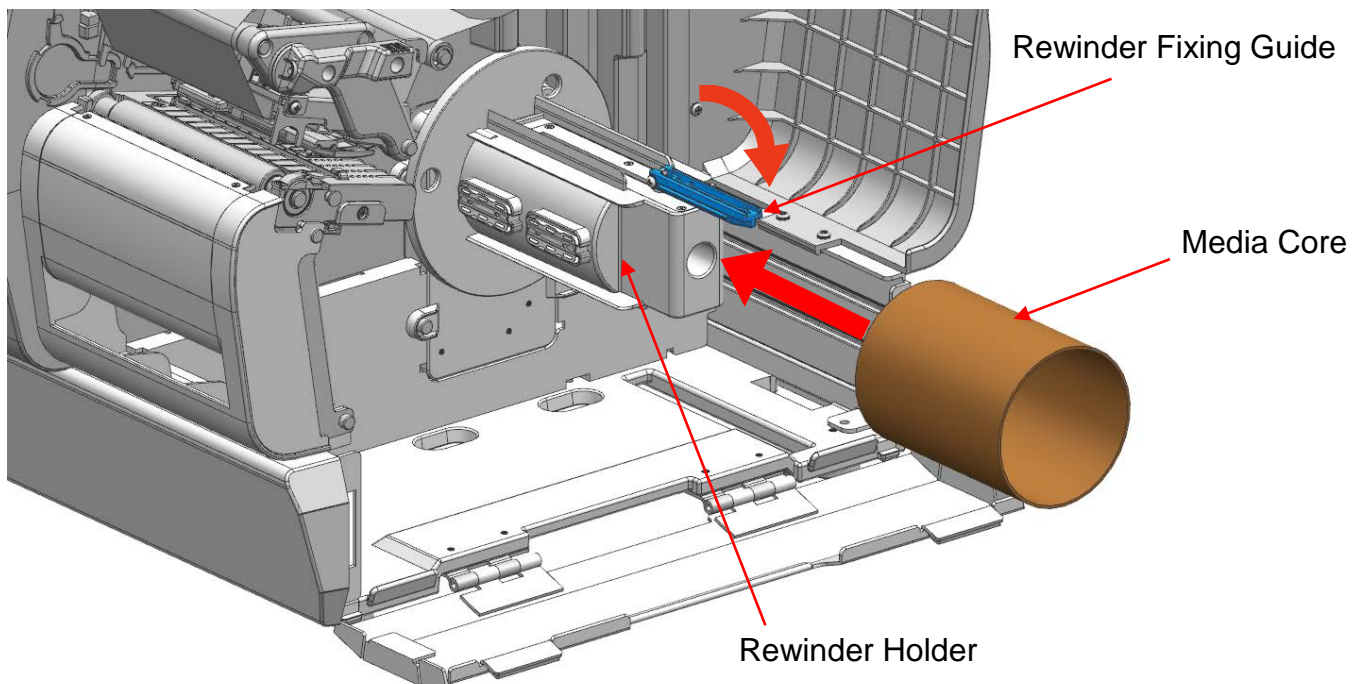
3-4-3 Media Installation Method of Rewinder(optional) Model

Use the rewinder to automatically rewind the printed media.
When shipped from the factory, the rewinder is attached.
For Rewinder Model, install media in the following ways:

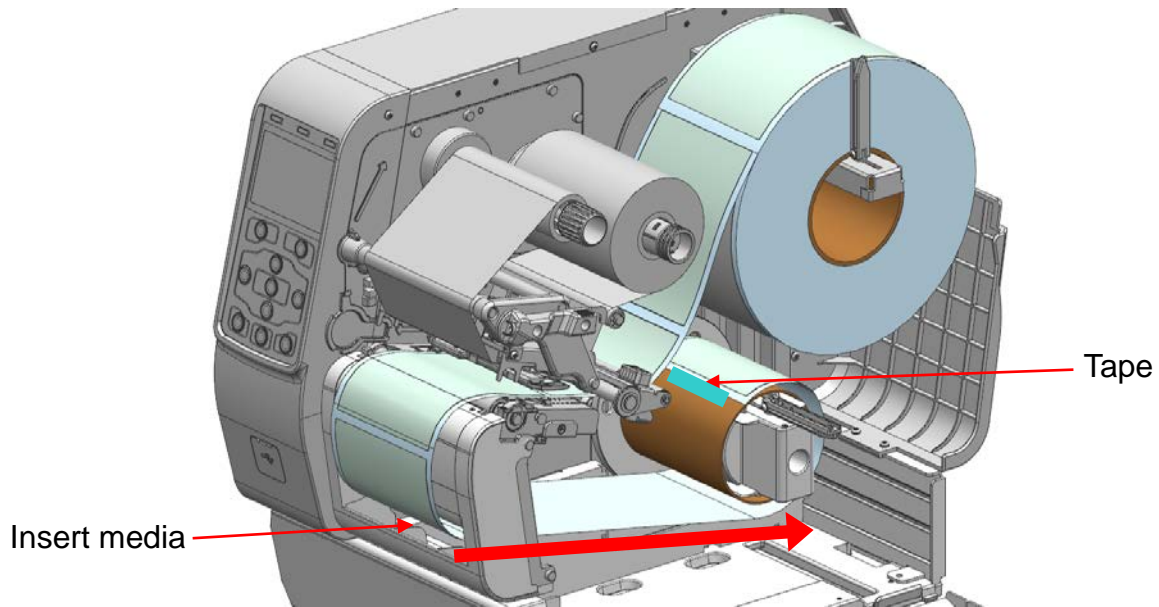
- 1) Refer to '3-4-1 Media Installation Method of Standard Model' to install media, adjust media guide and sensor position.
- 2) Open the rewinder cover.



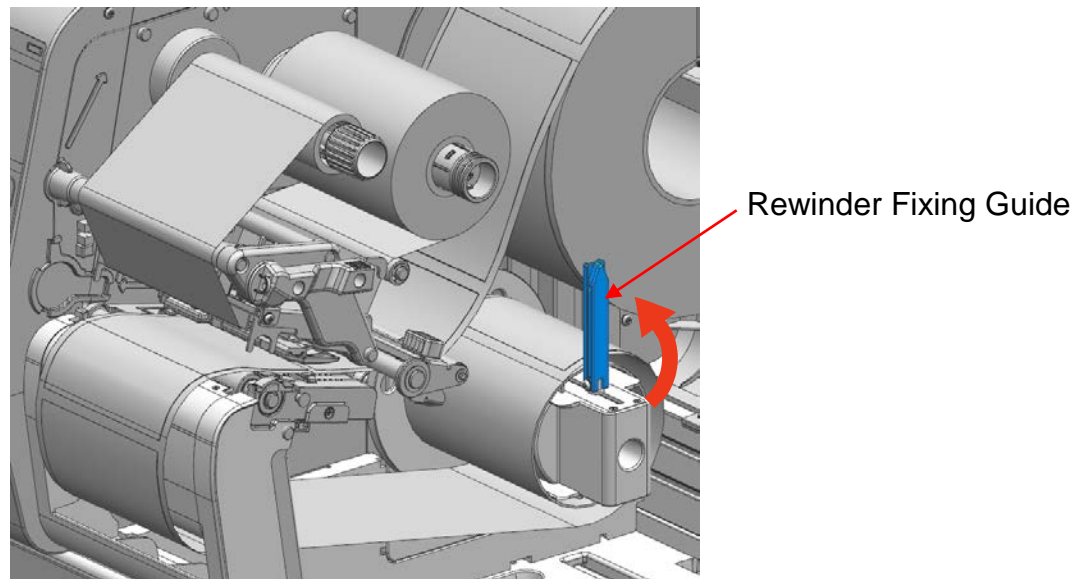
- 3) After flip down the rewinder fixing guide, install a 3inch media core on the rewinder holder.



4) After installing the media in the same way as the picture, attach the media to the media core using tape.



5) After flip up the rewriter fixing guide, push it close to the media.



6) Close the print head lever, the rewriter cover, and the media cover.

 **Caution**

- When opening or closing the cover, be careful not to pinch your fingers.
- Do not open the print head levers while the printer is printing. The printer may be damaged.
- Change the media when the printer is not receiving data, or data may be lost.

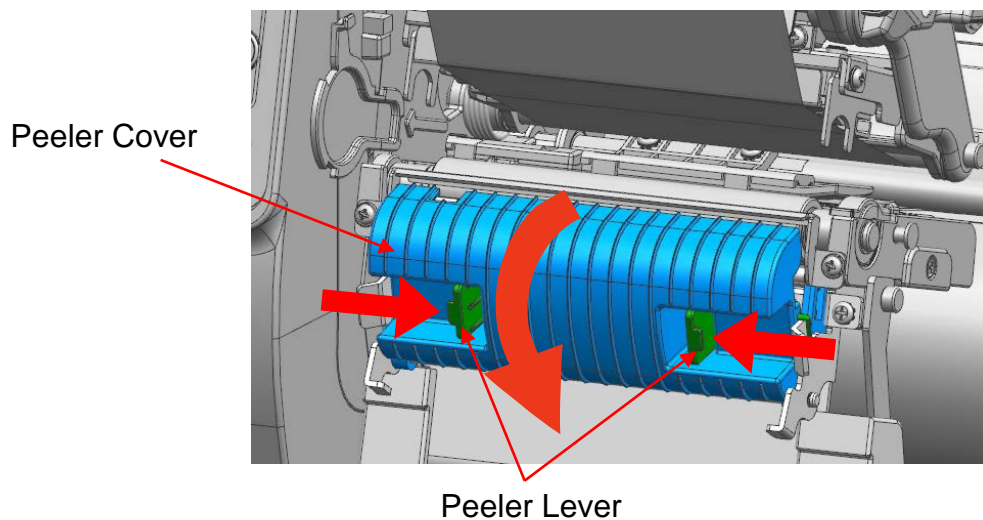
 **Warning**

While the printer is operating, the print head gets very hot, so turn off the power and let it cool down completely. The hot print head can cause serious burns.

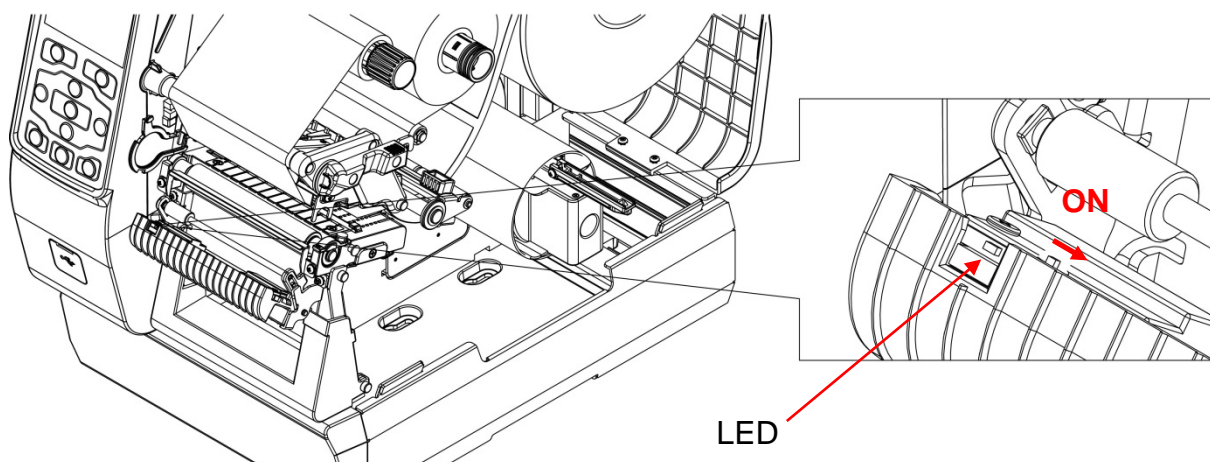
3-4-4 Media Installation Method of Peeler (optional) Model

Use a peeler to automatically separate the printed media from the liner.
When shipped from the factory, the peeler is attached.
For Peeler Model, install media in the following ways:

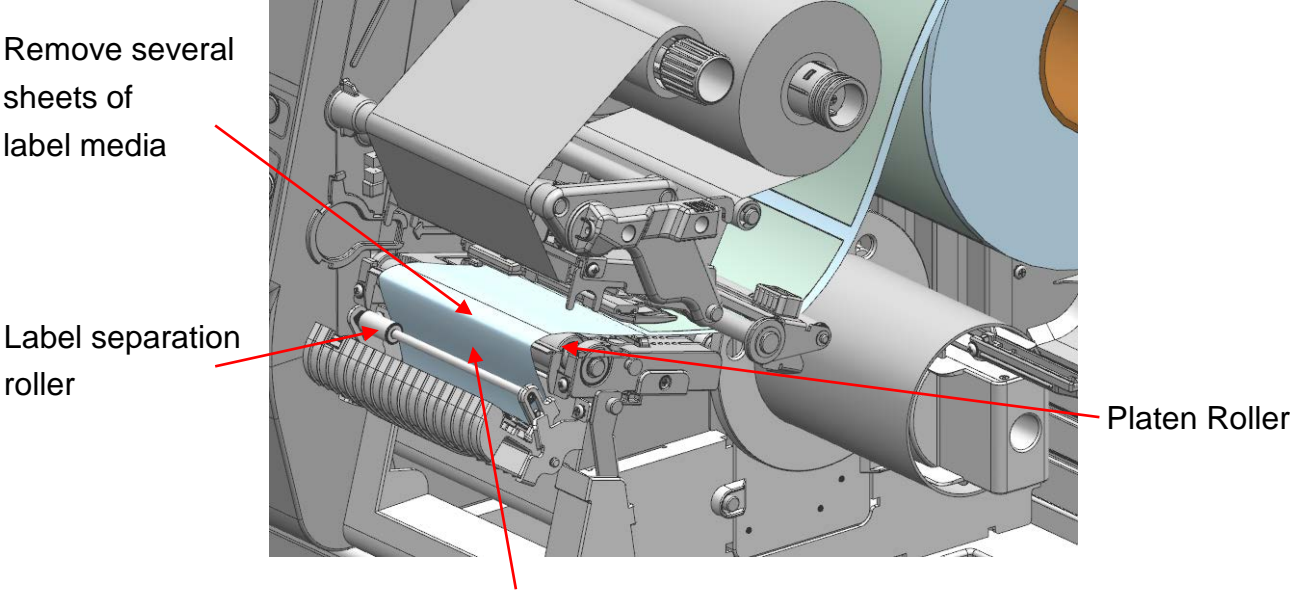
- 1) Refer to '3-4-1 Media Installation Method of Standard Model' to install media, adjust media guide and sensor position.
- 2) Open the rewinder cover.
After flip down the rewinder fixing guide, install a 3inch media core in the rewinder holder.
(Please refer to 3-4-3 Media Installation Method of Rewinder Model)
- 3) Press the left and right peeler levers to open the peeler cover.



- 4) Move the peeler switch to ON. Please make sure that the LED has turned on.

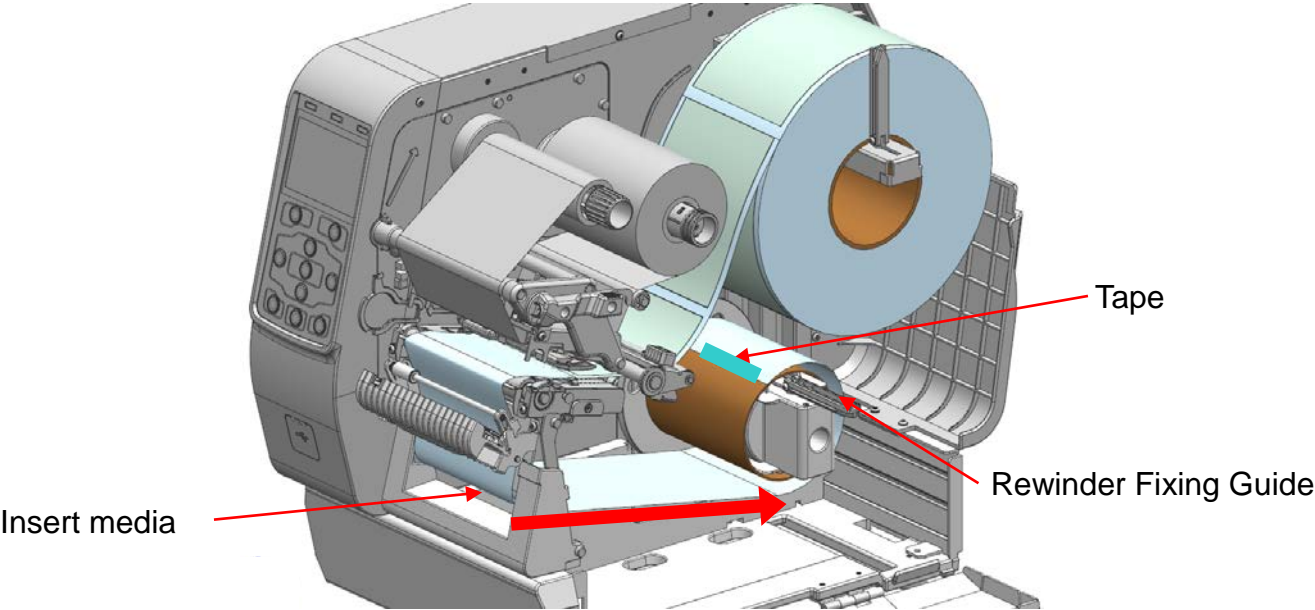


5) Remove several sheets of label media and insert liner as in the picture.



Insert media between platen roller and label separation roller

6) After installing the media in the same way as the picture, attach the media to the media core using tape.

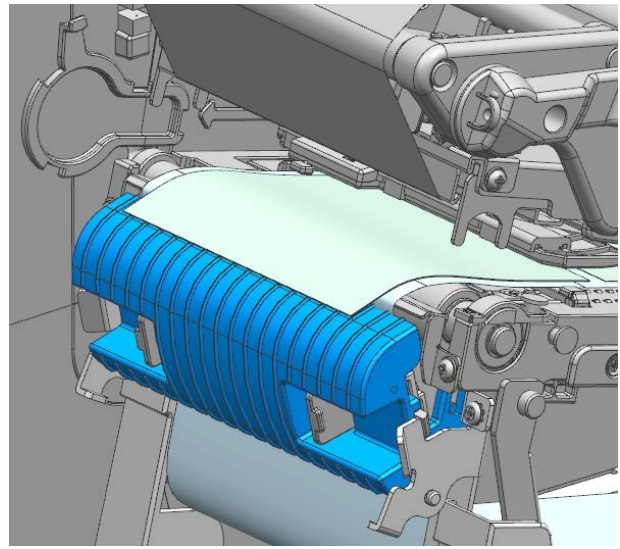
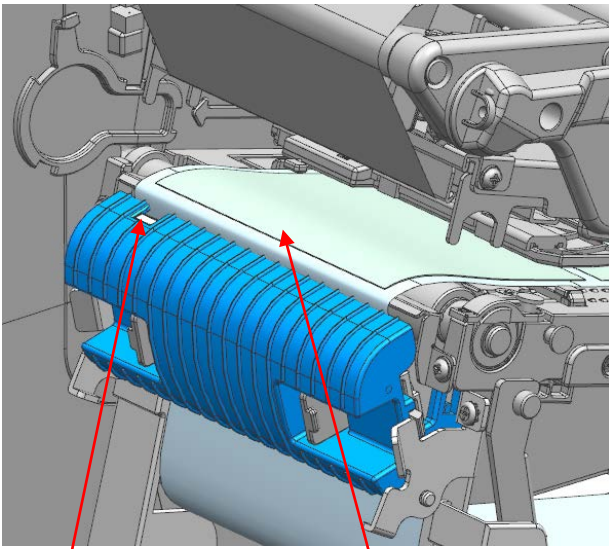


7) Raise the rewriter fixing guide, and then push it close to the media.

8) Close the peeler cover until it clicks.

(O)

(X)



Peeler Sensor Be careful that the media does not cover the peeler sensor

9) Close the print head lever, the rewinder cover, and the media cover.

⚠ Caution

- When opening or closing the cover, be careful not to pinch your fingers.
- Do not open the print head levers while the printer is printing. The printer may be damaged.
- Change the media when the printer is not receiving data, or data may be lost.
- The peeler function is only available for label media.
- Turn the printer off before peeler switch on / off
- When the peeler is switched on, the next label will not be printed unless the printed label is removed from the peeler.
- When the peeler is switched off, the peeler does not work.

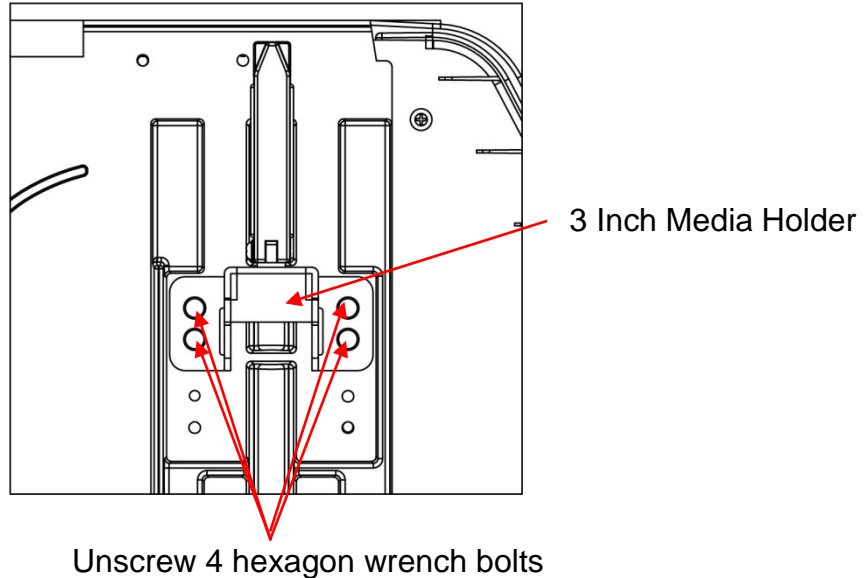
⚠ Warning

While the printer is operating, the print head gets very hot, so turn off the power and let it cool down completely. The hot print head can cause serious burns.

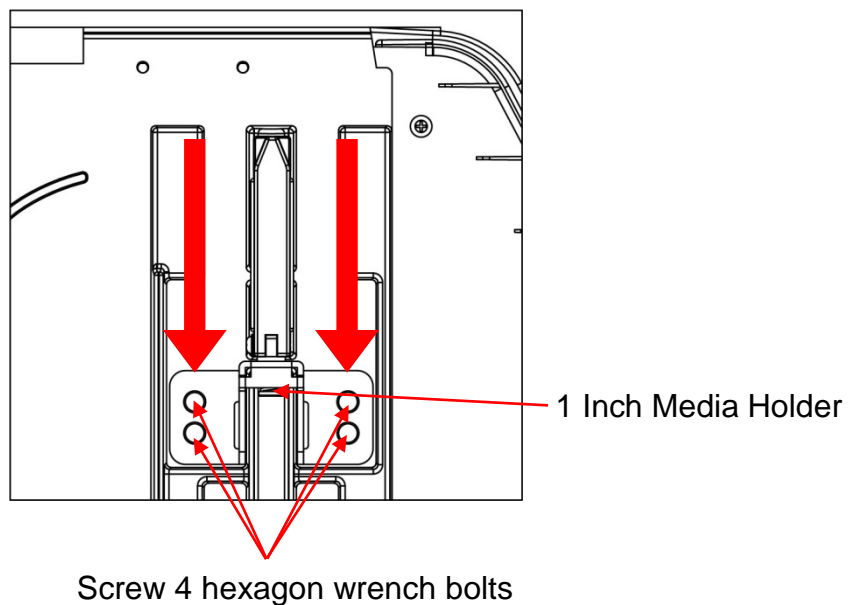
3-4-5 Media Installation method for 1inch Media Core (optional) Model

For 1inch Media Core Model, install media in the following ways:

- 1) Remove the current 3 inch media holder fixture (sold separately) from the printer using a hexagonal screwdriver (3mm).



- 2) Assemble 1 inch media holder fixture with printer using a hexagonal driver (3mm).



- 3) Install the media in the same manner as the 3 inch core paper model.



Note

1 inch media holder fixture can be purchased separately. Please contact the place of purchase.



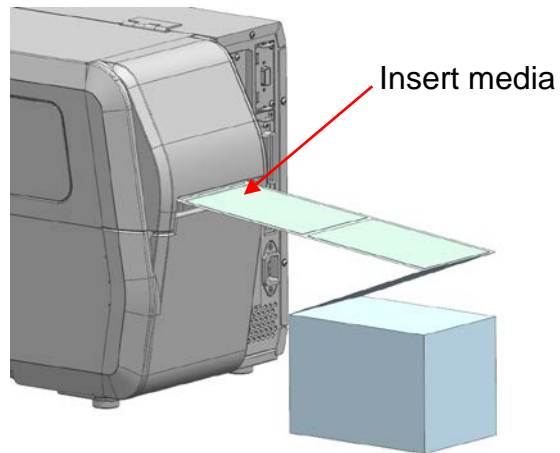
Caution

Be sure to turn off the printer before replacing the media holder. The printer may be damaged.

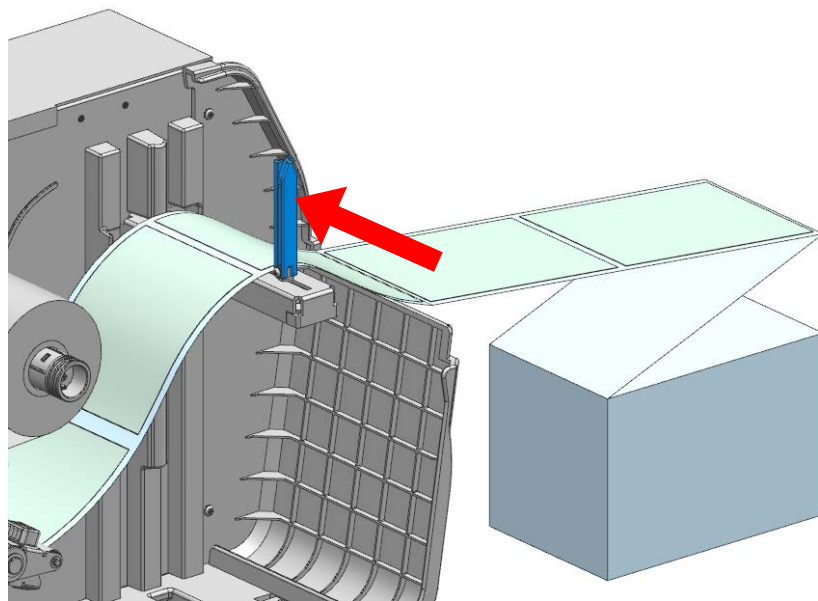
3-4-6 How To Install Media Externally

Install media from outside the printer as follows.

- 1) Insert the media through the rear access slot of the printer.



- 2) Adjust the media fixing guide to the media width.



- 3) Close the print head lever and media cover.



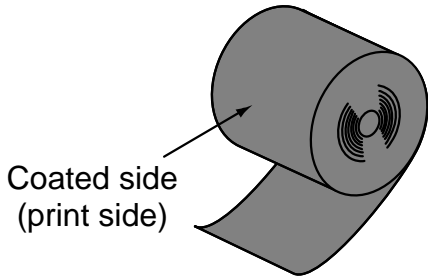
- Do not open the print head levers while the printer is printing. The printer may be damaged.
- Change the media when the printer is not receiving data, or data may be lost.

3-5 Ribbon Installation

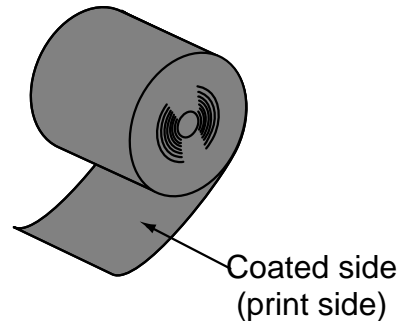
3-5-1 Ribbon Type

1) Type by film coating position



- This printer can be used with both Outside and Inside Ribbon.



Outside Ribbon



Inside Ribbon

 Note	Perform an adhesion test to determine which side of the ribbon is coated. Follow these steps to check the coated side of the ribbon. 1) Remove the label from the liner. 2) Press one corner of the adhesive side of the label against the outside/inside of the surface of the ribbon. 3) Remove the label from the ribbon. 4) Check whether the black ink ribbon appears on the adhesive side of the label.
 Caution	Do not dispose of the ribbon core of spent ribbon because it will be reused.

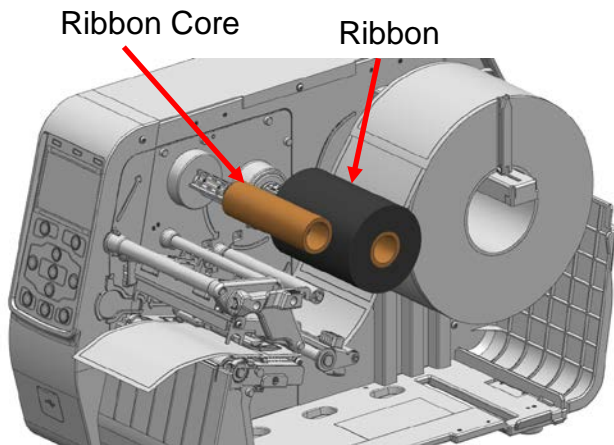
2) Type by Ribbon core

- This printer can be used only with the ribbon of 1 inch ribbon core.

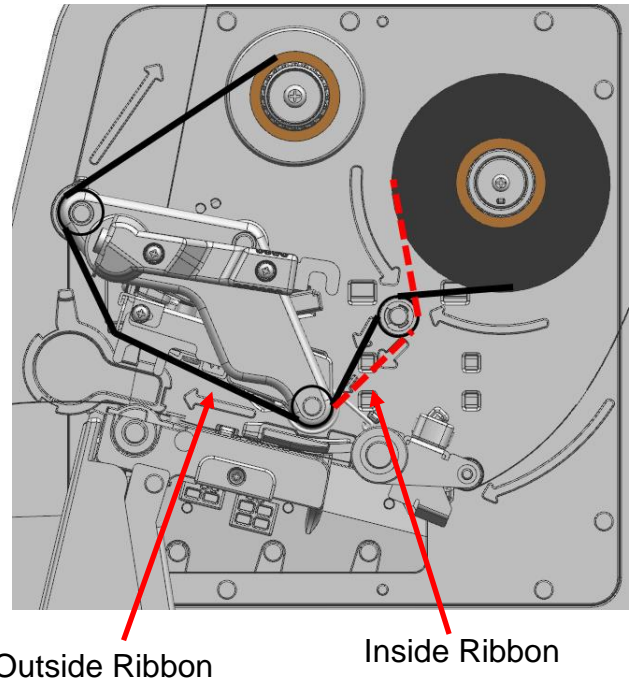
3-5-2 Ribbon Installation Method

Install ribbon as follows.

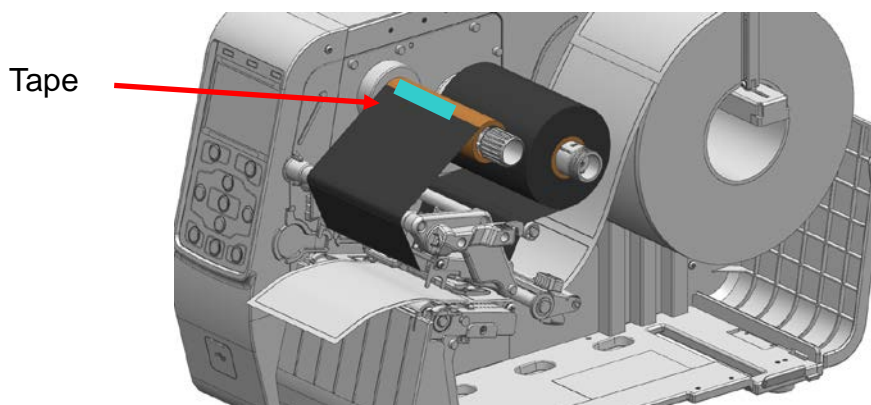
1) Insert the ribbon core into the ribbon take-up spindle and insert the ribbon into the ribbon supply spindle.



2) Open the print head lever and install the ribbon as shown below.



3) Attach the ribbon to the ribbon core using tape.



4) Close the print head lever and the media cover.

Caution

- When opening or closing the cover, be careful not to pinch your fingers.
- Do not open the print head levers while the printer is printing. The printer may be damaged.
- Change the media when the printer is not receiving data, or data may be lost.

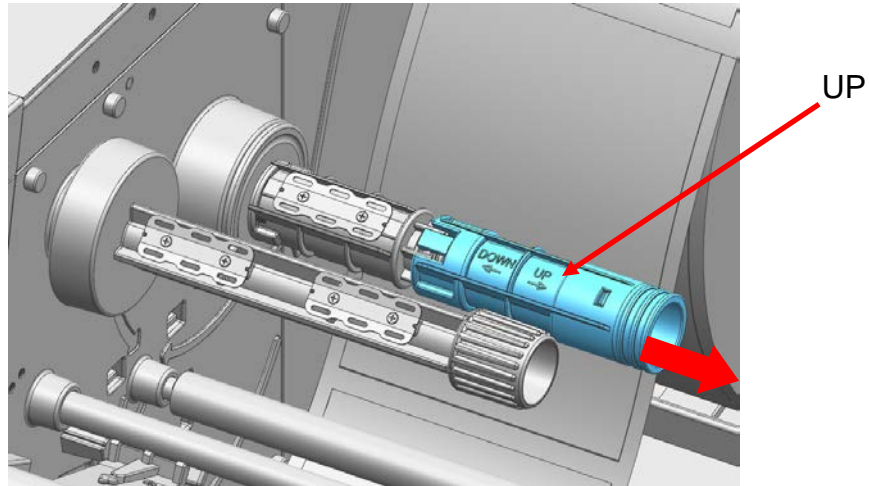
Warning

While the printer is operating, the print head gets very hot, so turn off the power and let it cool down completely. The hot print head can cause serious burns.

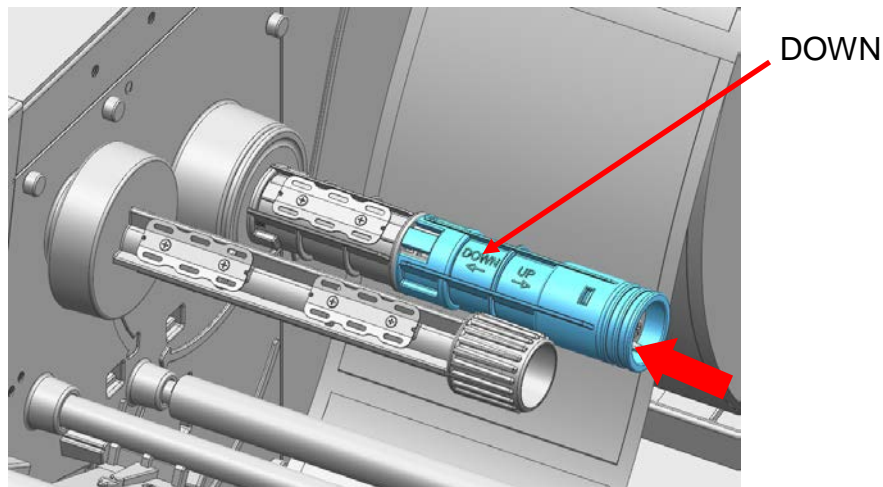
3-5-3 Load Adjustment by Ribbon Length

The printer can use all 1 to 4 inch wide ribbons and is set to 4 inch wide ribbons when shipped from the factory. Adjust the ribbon supply spindle load according to the ribbon width.

- 1) When using ribbon of 3 inch or 4 inch width, pull in the direction of UP marked on the ribbon supply spindle until it clicks.



- 2) When using ribbon of 1 inch or 2 inch width, push in the direction of DOWN marked on the ribbon supply spindle until it clicks.

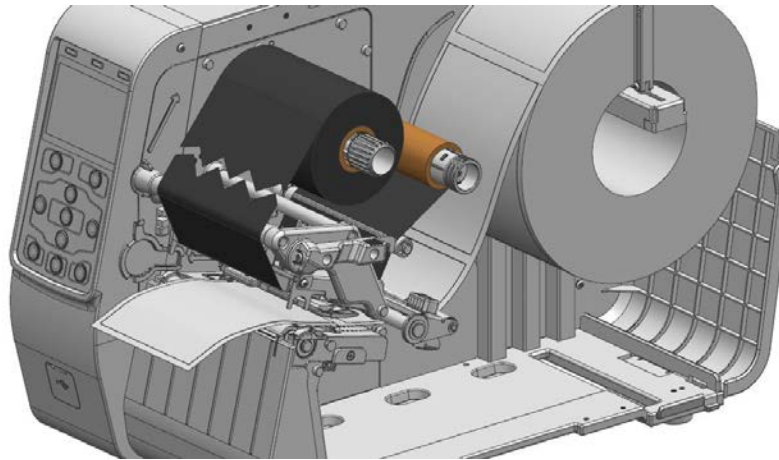


Do not adjust the ribbon supply spindle load while the printer is printing. The printer may be damaged.

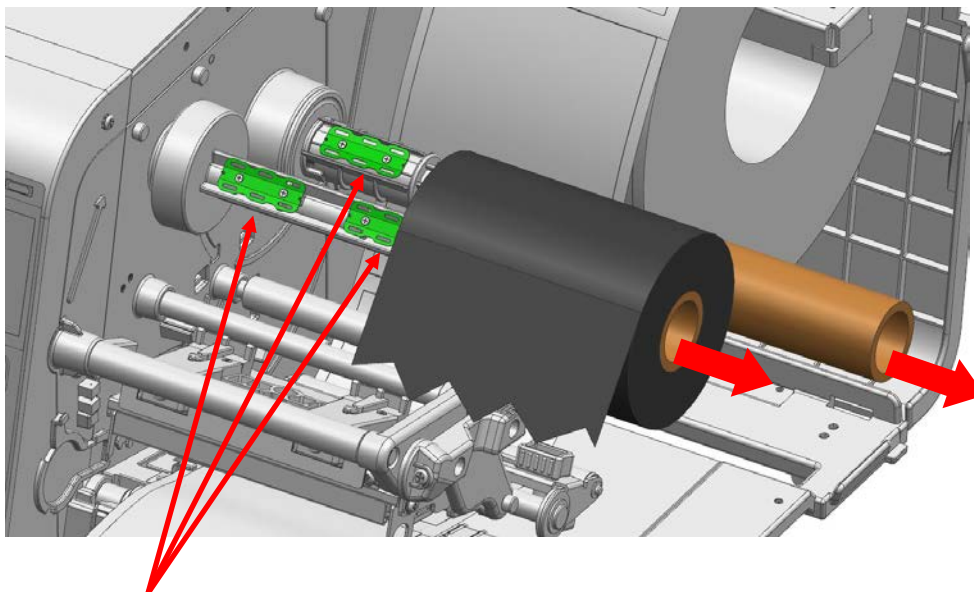
3-5-4 Ribbon Remove Method

Remove the ribbons as follows.



- 1) Cut the ribbon using a sharp tool.



- 2) Open the print head levers and remove the ribbon and ribbon core from left to right.

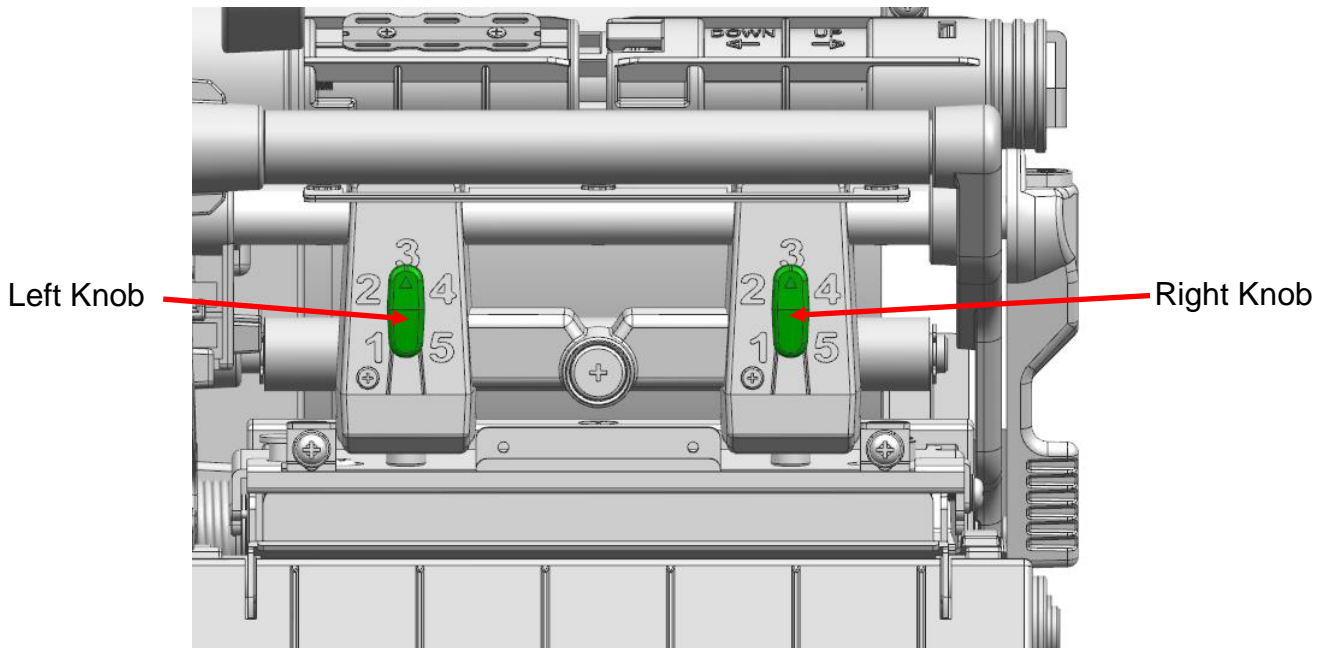


Ribbon Core Clip

 Caution	Don't remove the ribbon and ribbon core while the printer is printing. The printer may be damaged.
 Warning	When removing ribbon and ribbon core, be careful of the sharp end of the ribbon core clip. This can cause serious bodily injury.

3-6 Print Head Load Control Method

- Adjust the print head load by turning the left and right knobs depending on the media width and thickness. The left and right knobs are set to level 3 when shipped from the factory. Adjusting the print head load can improve the print quality.
- ※ Turning the knob toward the level 1 (counterclockwise) direction reduces the print head load.
Turning the knob toward level 5 (clockwise) increases the print head load



Caution

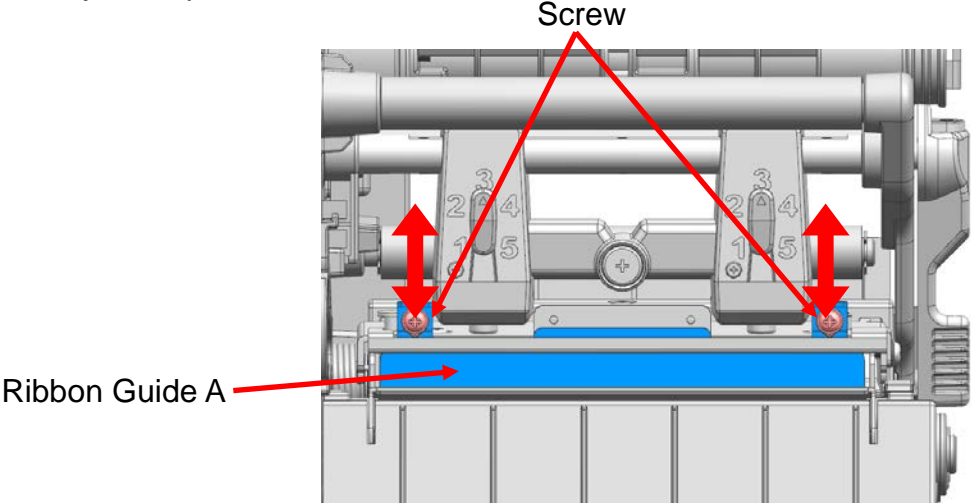
Do not adjust knobs while the printer is printing.
The printer may be damaged.

3-7 Ribbon Guide Control Method

- Adjusting the ribbon guides A and B can improve wrinkling

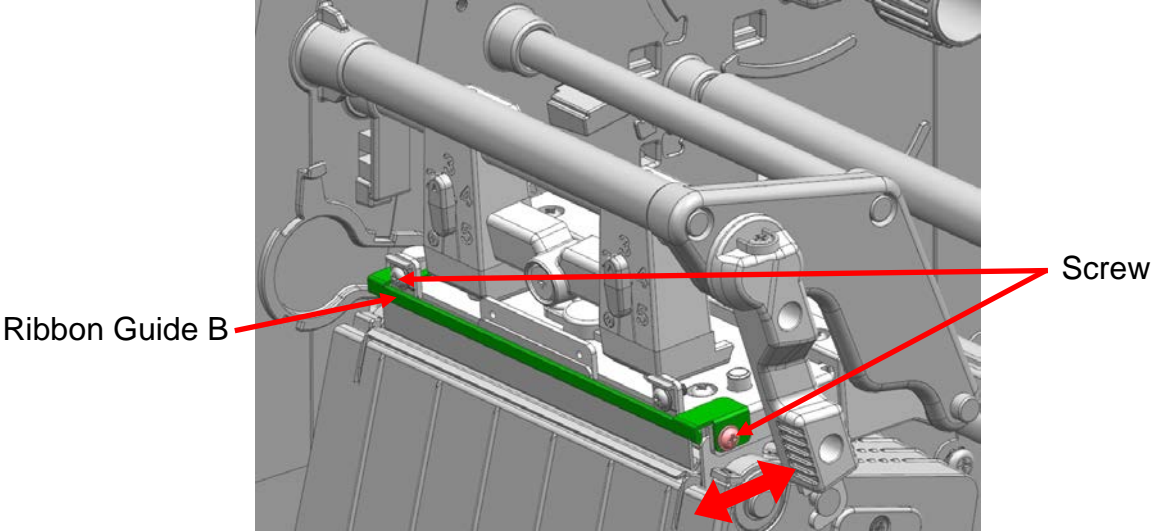
1) How to adjust ribbon guide A


- Slightly loosen the screw fastened to the ribbon guide A using a cross-tip screwdriver to adjust it up and down.



2) How to adjust ribbon guide B


- Slightly loosen the screw fastened to the ribbon guide B using a cross-tip screwdriver to adjust it forward and backward.




 **Caution** Do not adjust ribbon guide while the printer is printing. The printer may be damaged.

4. Printer Setting

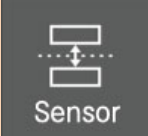
4-1 Menu Composition


 Setting	Explanation	
	Print Width	
	Print Length	
	Print Direction	
	Print Speed	
	Print Density	
	Print Method	
	Media Type	
	Tear Off	
	Print Offset	
	Print Mode	
	Power Up Action	
	Print Head Close	

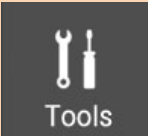
 Interface	Explanation	
	Serial	Baud Rate
		Data Bits
		Parity
		Stop Bit
		Host Handshake
	Ethernet	IP Protocol
		IP Address
		Subnet Mask
		Gateway
		MAC Address
	WLAN	Channel
		Network
		ESSID
		Auth
		Encrypt
		WEB Password
		PSK Password
		IP Protocol
		IP Address
Subnet Mask		
Gateway		


XT5-40 Series

	Bluetooth	Device Name	
		Pairing	Pincode
			SSP
		MAC Address	
		Mode	Bluetooth Lower Energy Standard Mode
Interface Info			

	Explanation	
	Gap Calibration	
	Black Mark Calibration	
	Sensor Sensitivity	

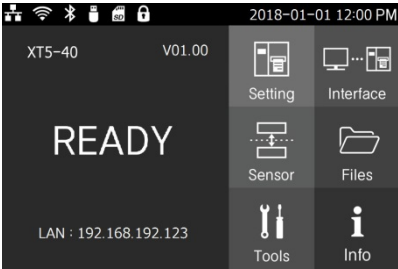
	Explanation	
	Saved File	Template
		Image
		Download Font
		E Drive (Flash Memory)
		A Drive (USB Memory)
		B Drive (SD Card Memory)
	Twin Function	Printer Setting
		Template
		Image
		Download Font
	Firmware Update	

	Explanation	
	Self Test	
	Factory Reset	
	Dump Mode	
	Print Head Check	
	LCD	Dead Pixel Test
		Backlight Brightness
	Real Time Clock	Date Setting
		Time Setting
		Date Format
		Time Format
	Language Setting	
	Emulation	
	USB Serial Number	
	Buzzer Setting	
	Security	Password Enable
		Password Setting
	Demo Print	

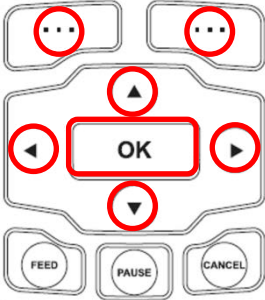
	Explanation	
	Printer Info	
	Installation & Usage	Media Installation
		Ribbon Installation
		Replace Media
		Replace Ribbon
	Replace Print Head	
Troubleshooting		
Contact US		

4-2 Menu Select Method

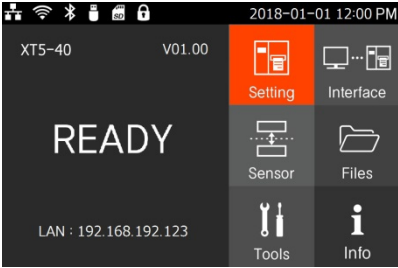
1) This is a normal status LCD output screen.



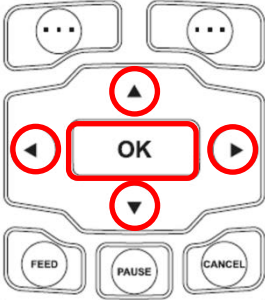
2) Press function button, direction button or OK button.



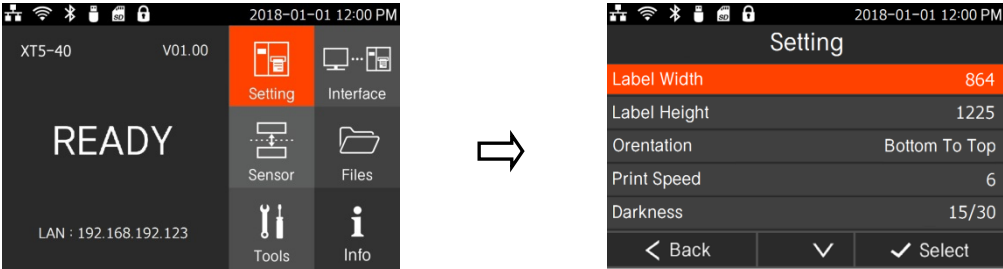
3) The setting menu is selected.



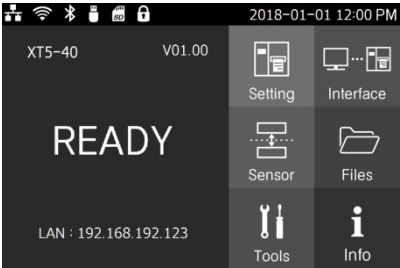
4) Use direction buttons to move to the desired menu.



5) Press OK or the right function button to enter the submenu.







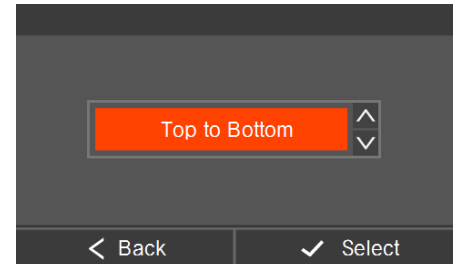
6) If there is no input for 5 seconds after setting menu is selected, it returns to initial screen again.






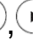

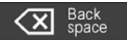



4-3 Setting Confirm Method

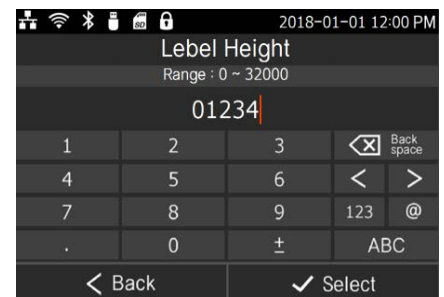
1) How to use the up and down buttons

- (1) Select the desired setting value using  or  button
- (2) After selecting the setting value, save it with  button
- (3) If you want to exit the menu without setting, press  button to move to the previous screen



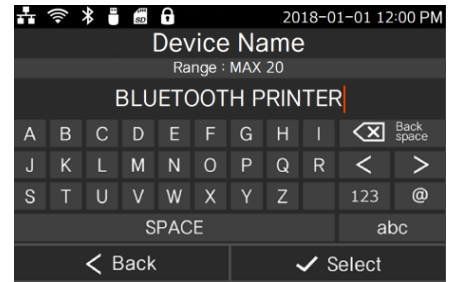
2) How to input numbers

- (1) Select the desired input value using , , ,  button
- (2) Enter the desired value using  button
- (3) With , you can delete the input value
- (4) With , you can move the cursor
- (5) After entering set value, save it using  button
- (6) If you want to exit the menu without setting, press  button to move to the previous screen



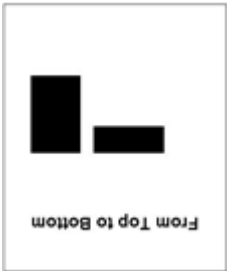
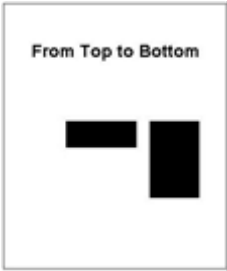
3) How to input characters

- (1) Select the desired input value using ▲, ▼, ◀, ▶ button
- (2) Enter the desired value using button
- (3) With , you can delete the input value
- (4) With , you can move the cursor
- (5) With , you can move to the numeric input screen
- (6) With , you can move to the symbol input screen
- (7) With , you can move to lower case input screen
- (8) After entering set value, save it using button
- (9) If you want to exit the menu without setting, press button to move to the previous screen



4-4 Setting Menu Explanation

List	Explanation
Print Width	<p>Explanation Setting media width[dots] Function to adjust image buffer size according to media width</p> <p>Default Value 203dpi: 832dots 300dpi: 1248dots 600dpi: 2496dots</p> <p>Maximum Value 203dpi: 832dots 300dpi: 1248dots 600dpi: 2496dots</p>
Print Length	<p>Explanation Setting media length[dots] Function to adjust image buffer size according to media length</p> <p>Default Value 203dpi: 1225dot (153mm) 300dpi: 1811dot (150mm) 600dpi: 3622dot (150mm)</p> <p>Maximum Value 203dpi: 32000dot (4000mm) 300dpi: 30000dot (2500mm) 600dpi: 24000dot (1000mm)</p>

<p>Print Direction</p>	<p>Explanation Setting printing direction Top to bottom: Printing from top to bottom Bottom to Top: Print from bottom to top</p> <p>Default Value Bottom to Top</p> <p>Variable Value Bottom to Top, Top to Bottom</p> <p style="text-align: center;">Printing Direction</p> <div style="display: flex; justify-content: space-around; align-items: center;"><div style="text-align: center;"><p>Top to bottom</p></div><div style="font-size: 2em; margin: 0 20px;">↓</div><div style="text-align: center;"><p>Bottom to top</p></div></div>
<p>Print Speed</p>	<p>Explanation Setting print speed[ips]</p> <p>Default Value 203dpi: 6ips 300dpi: 6ips 600dpi: 3ips</p> <p>Variable Value 203dpi: 2 ~ 14ips 300dpi: 2 ~ 10ips 600dpi: 1 ~ 5ips</p>
<p>Print Density</p>	<p>Explanation Setting print density</p> <p>Default Value 203dpi: 15 300dpi: 15 600dpi: 15</p> <p>Variable Value 0 ~ 30</p>

Print Method	Explanation Setting print method Default Value Transfer Variable Value Transfer, Direct
Media Type	Explanation Setting media type Default Value Gap Variable Value Gap, Black Mark, Continuous
Tear Off	Explanation Setting media location after printing or feed Default Value 0 Variable Value -100 ~ 100
Print Offset	Explanation Setting offset length between black mark or gap and perforated line [dots] Default Value 0 Variable Value -100 ~ 100
Print Mode	Explanation Setting print mode suitable to the printer option Default Value Tear Off Variable Value Tear Off, Auto Cutter, Rewinder

Power Up Action	Explanation Setting the action for the printer to take during the power-up sequence. Default Value No Feed Variable Value No Feed, Set Label Length, Media Calibration, Feed
Print Head Close	Explanation Setting the action for the printer to take when you close the print head Default Value Feed Variable Value Feed, Standby Mode, No Feed, Set Label Length, Media Calibration

4-5 Interface Menu Explanation

4-5-1 Serial

List	Explanation
Baud Rate	Explanation Setting the printer's baud rate Default Value 115200 Variable Value 9600,19200,38400,57600,115200
Data Bits	Explanation Setting the printer's data bit Default Value 8 Variable Value 7, 8
Parity	Explanation Setting the printer's parity Default Value None Variable Value None, Odd, Even
Stop Bit	Explanation Setting the printer's stop bit Default Value 1 Variable Value 1, 2
Host Handshake	Explanation Setting the printer's handshake Default Value RTS_CTS Variable Value RTS_CTS, DTR_DSR, XON_XOFF

4-5-2 Ethernet

List	Explanation
IP Protocol	Explanation Setting IP assignment method Default Value DHCP Variable Value DHCP, Static IP
IP Address	Explanation Setting IP Address method Default Value Static IP: 192.168.192.123 DHCP: 0.0.0.0 Variable Value 0 ~ 255
Subnet Mask	Explanation Setting subnet mask Default Value Static IP: 255.255.255.0 DHCP: 0.0.0.0 Variable Value 0 ~ 255
Gateway	Explanation Setting gateway Default Value Static IP: 192.168.192.254 DHCP: 0.0.0.0 Variable Value 0 ~ 255
MAC Address	Indicating MAC address

4-5-3 WLAN

List	Explanation
Channel	<p>Explanation Setting channel when creating Adhoc network</p> <p>Default Value 6</p> <p>Variable Value 1 ~ 14</p>
Network	<p>Explanation Setting WLAN operation mode</p> <p>Default Value Soft AP</p> <p>Variable Value Soft AP, Infrastructure, Adhoc, P2P</p>
ESSID	<p>Explanation Setting the ID of AP to be accessed</p> <p>Default Value PRINTER_XXXXXX(product specific value)</p>
Auth	<p>Explanation Setting WLAN authentication method</p> <p>Default Value Open System</p> <p>Variable Value Open System, Shared Key, WPA1PSK, WPA2PSK, WPA1EAP, WPA2EAP</p>
Encrypt	<p>Explanation Setting WLAN encryption method</p> <p>Default Value None</p> <p>Variable Value None, WEP64/128, TKIP, AES, AES+TKIP</p>
WEP Password	Setting WEP password
PSK Password	Setting PSK password

IP Protocol	Explanation Setting IP assignment method Default Value DHCP Variable Value Static IP, DHCP
IP Address	Explanation Setting IP address Default Value Static IP: 192.168.1.1 DHCP: 0.0.0.0 Variable Value 0 ~ 255
Subnet Mask	Explanation Setting subnet mask Default Value Static IP: 255.255.255.0 DHCP: 0.0.0.0 Variable Value 0 ~ 255
Gateway	Explanation Setting gateway Default Value Static IP: 192.168.1.254 DHCP: 0.0.0.0 Variable Value 0 ~ 255

4-5-4 Bluetooth

List	Explanation
Device Name	Name of Device
Pairing	Pairing
Pincode	Changes required pin code to connect
SSP	<p>Explanation Secures simple pairing</p> <p>Default Value Disable</p> <p>Variable Value Disable, Just Works, Numeric Comparison, Passkey Entry</p>
MAC Address	Bluetooth device MAC address
Mode	Mode Setting
Bluetooth Lower Energy	<p>Explanation Bluetooth Lower Energy</p> <p>Default Value Disable</p> <p>Variable Value Disable, Enable</p>
Standard Mode	Bluetooth Standard Mode
Connect Mode	<p>Explanation Setting Bluetooth connection mode</p> <p>Default Value Mode 2</p> <p>Variable Value Mode 1, Mode 2, Mode 3</p>
Auth&Enc	<p>Explanation Setting Bluetooth authentication encryption function</p> <p>Default Value Enable</p> <p>Variable Value Enable, Disable</p>

4-6 Sensor Menu Explanation

List	Explanation
Gap Calibration	Automatically corrects the sensitivity of the gap sensor
Black Mark Calibration	Automatically corrects the sensitivity of the black mark sensor
Sensor Sensitivity	Explanation Adjusts the sensitivity of the gap sensor Default Value 70 Variable Value 10 ~ 100

4-7 Files Menu Explanation

4-7-1 Saved File

Displays the list of object files stored in the printer on the LCD screen.

List	Explanation
Template	Checks the list of templates stored in the printer
Image	Checks the list of image stored in the printer (*.pcx)
Download Font	Checks the list of download font stored in the printer
E Drive (Flash Memory)	Checks the list of Download Save files in E drive (Flash memory)
A Drive (USB Memory)	Checks the list of Download Save files in A drive (USB memory)
B Drive (SD Card Memory)	Checks the list of Download Save files in B drive (SD Card memory)

4-7-2 Twin Function

Saves the current printer settings, save files (templates, images, download fonts) to another printer using USB, or loads the settings of another printer and saves files to the current printer.

List	Explanation
Printer Setting	<p>Explanation Saves printer settings to a USB storage device, or loads the print settings from USB storage.</p> <p>File path F:\configuration</p>
Template	<p>Explanation Saves template file to a USB storage device, or load the template from USB storage.</p> <p>File path F:\USER_AREA_TEMPLATES</p>
Image	<p>Explanation Saves image file to a USB storage device, or load the image from USB storage (*.pcx)</p> <p>File path F:\USER_AREA_Images</p>
Download Font	<p>Explanation Saves download font file to a USB storage device, or load the download font from USB storage.</p> <p>File path F:\USER_AREA_FONTS</p>

- Twin Function Usage

1) Save

(1) Printer Setting

- Connect a USB storage device to the printer.
- Select Save on the menu using the up and down buttons.
- The printer_config file is created in the configuration folder of USB storage device.
(The configuration folder is automatically created)

(2) Template

- Connect a USB storage device to the printer.
- Select Save on the menu using the up and down buttons.
- Template files are stored in the USER_AREA_TEMPLATES folder of USB storage device.
(USER_AREA_TEMPLATES folder is automatically created)

(3) Image

- Connect a USB storage device to the printer.
- Select Save on the menu using the up and down buttons.
- Image files are stored in the USER_AREA_Images folder of USB storage device.
(USER_AREA_Images folder is automatically created)

(4) Download Font

- Connect a USB storage device to the printer.
- Select Save on the menu using the up and down buttons.
- Download Font files are stored in the USER_AREA_FONTS folder of USB storage device.
(USER_AREA_FONTS folder is automatically created)

2) Load

(1) Printer Setting

- Check whether the printer_config file exists in the configuration folder of the USB storage device. (If there is no file, save the printer settings first.)
- Connect USB storage device.
- Select Load from the Printer Setup menu using the up and down buttons.
- Loading message is displayed while loading, and when loading is completed, USB loading completion message is displayed.
- Check the change of the printer's settings.

(2) Template

- Check whether a template file exists in the USER_AREA_TEMPLATES folder of the USB storage device. (If the file does not exist, create a USER_AREA_TEMPLATES folder and save the template file to be copied to the printer below first)
- Connect USB storage device.
- Select Load from the Printer Setup menu using the up and down buttons.
- Loading message is displayed while loading, and when loading is completed, USB loading completion message is displayed.
- Go to Save File menu then, check the template file is normally saved to the printer.

(3) Image

- Check whether the image file exists in the USER_AREA_Images folder of the USB storage device. (If there is no file, create the USER_AREA_Images folder and save the image file to be copied to the printer below first.)
- Connect USB storage device.
- Select Load from the Printer Setup menu using the up and down buttons.
- Loading message is displayed while loading, and when loading is completed, USB loading completion message is displayed.
- Go to Save File menu then, check the image file is normally saved to the printer.

(4) Download Font

- Check if the downloaded font file exists in the USER_AREA_FONTS folder of the USB storage device. (If there is no file, create the USER_AREA_FONTS folder and save the download font file to be copied to the printer below first.)
- Connect USB storage device.
- Select Load from the Printer Setup menu using the up and down buttons.
- Loading message is displayed while loading, and when loading is completed, USB loading completion message is displayed.
- Go to Save File menu then, check the download font file is normally saved to the printer.

4-7-3 Firmware Update

- 1) Check whether the firmware file (* .fls) exists in the FW_download folder of the USB storage device. (If there is no folder, please create FW_download folder and save the firmware file (* .fls) to it.)
- 2) Connect USB storage device.
- 3) Select the firmware download menu.
- 4) If the message "F/W Downloading" is displayed, the firmware download has started normally.
- 5) When the firmware download is completed normally, the message "Printer Restart" is displayed and the rebooting process is automatically performed.

4-8 Tools Menu Explanation

List	Explanation
Self Test	Prints for self-test
Factory Reset	Initializes the printer settings to factory default
Dump Mode	<p>Explanation Diagnoses communication status when printing is not normal</p> <p>Default Value Disable</p> <p>Variable Value Disable, Enable</p>
Print Head Check	Dot-out check of head through printing
LCD	LCD pixel test and setting backlight brightness
Dead Pixel Test	LCD pixel test function
Backlight Brightness	<p>Explanation Setting backlight brightness</p> <p>Default Value 70</p> <p>Variable Value 10 ~ 100</p>
Real Time Clack	<p>Explanation Setting RTC date and time Setting RTC date and time format</p> <p>Date format YYYY-MM-DD, YYYY/MM/DD, MM-DD-YYYY, MM/DD/YYYY, DD-MM-YYYY, DD/MM/YYYY</p> <p>Time format 12H, 24H</p>
Language Setting	<p>Explanation Setting language to be displayed on the LCD</p> <p>Default Value English</p> <p>Variable Value English, Korean, German, French, Spanish</p>

Emulation	Explanation Setting printer emulation Default Value AUTO Variable Value AUTO(SLCS, BPL-Z, BPL-E), BPL-D
USB Serial Number	Checks USB serial number
Buzzer Setting	Explanation Setting beep on / off Default Value Enable Variable Value Enable, Disable
Security	Explanation Setting a password to restrict printer settings Default Value Disable Variable Value Disable, Enable
Demo Print	Demo format output function

4-9 Info Menu Explanation

List	Explanation
Printer Info	Checking the printer usage information
Installation & Usage	Site linking for installation and usage instructions
Troubleshooting	Site linking for troubleshooting
Contact US	Contact point for technical support

5. Maintenance

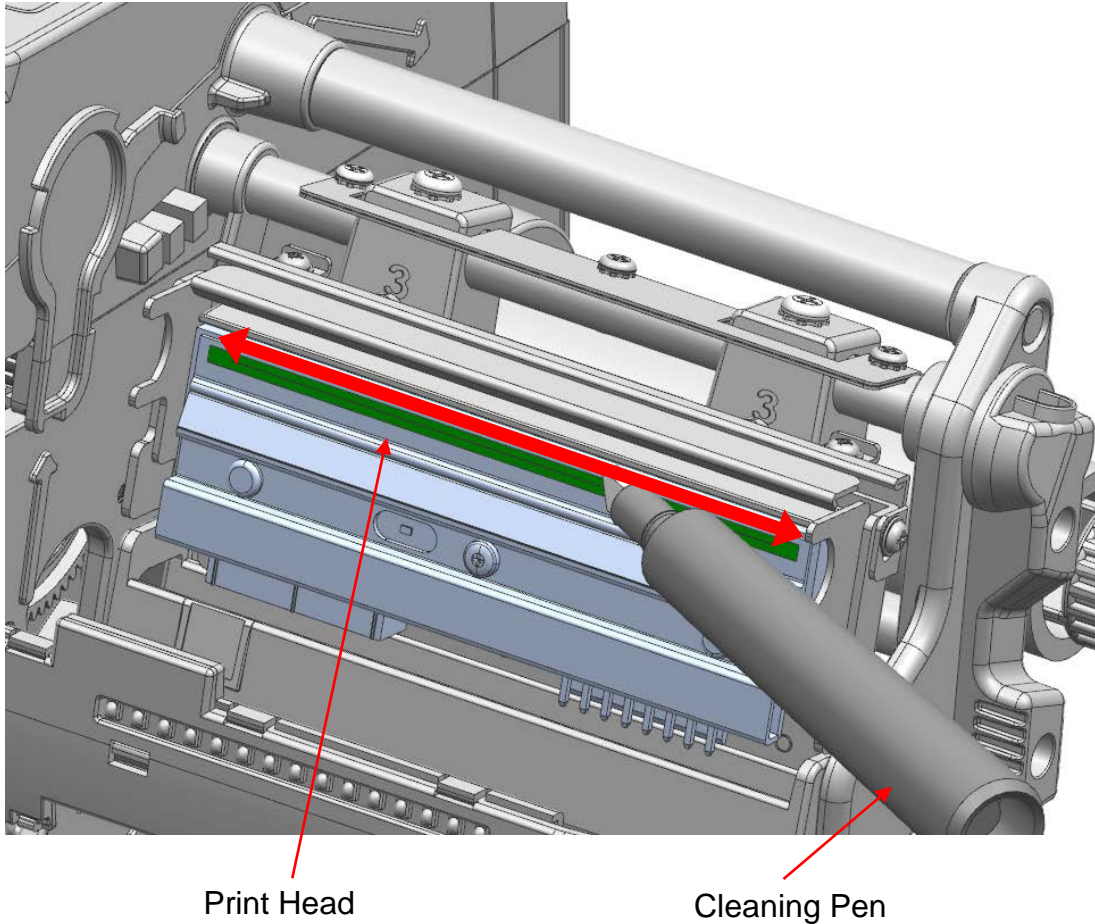
5-1 Cleaning Printer

- Due to dust, foreign substances, adhesives, and other contaminants on or inside print head, print quality may be reduced. In this case, clean the printer using the cleaning tools for each area as indicated in the following table.

Area	Tools	Interval
Print Head	Cleaning Pen	When changing media
Platen Roller	Cloth dipped in medical alcohol solution (Cotton swab)	
Media Sensor		
Ribbon Sensor		
Media Feed Path	Air compressors,	
Ribbon Feed Path	Cloth dipped in medical alcohol solution (Cotton swab)	
Manual cutting	Cloth dipped in medical alcohol solution (Cotton swab)	When a foreign substance is discovered
Peeler Roller(Optional)		When changing media
Peeler Sensor(Optional)		
Auto Cutter(Optional)	Air compressors, Cotton swab dipped in medical alcohol solution	When a foreign substance is discovered

5-2 Cleaning Print Head

- 1) Open the media cover and print head levers and remove the media and ribbon.
- 2) Clean the print head toward both sides from the center with the cleaning pen.
- 3) After cleaning, use the printer after alcohol has evaporated sufficiently (1 to 2 minutes) and the surface of print head has completely dried up.



Caution

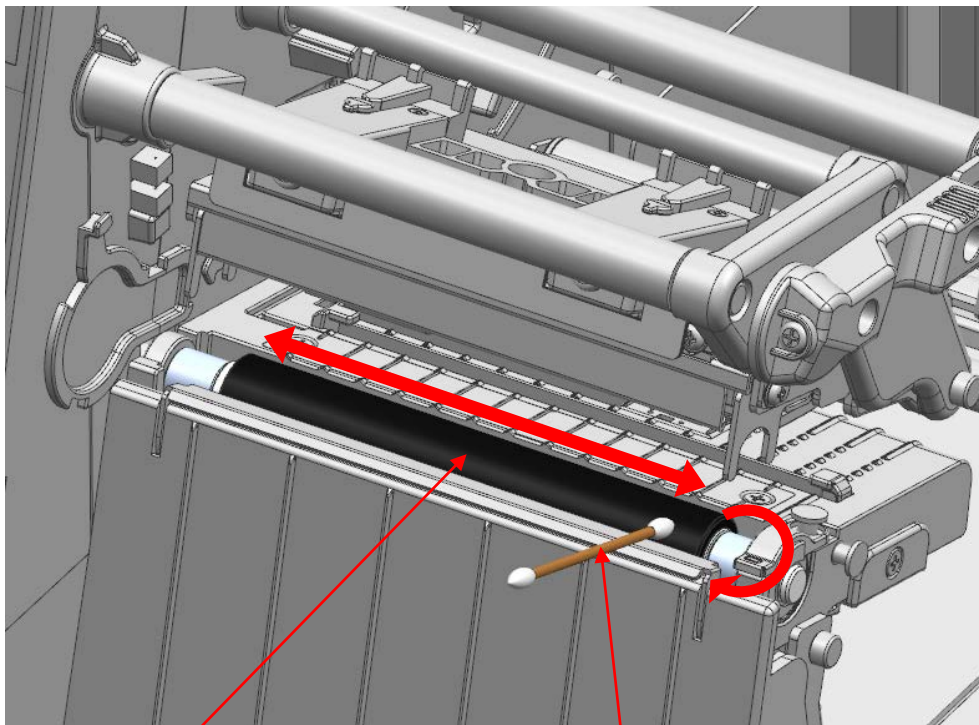
- Be sure to clean after turning the printer off.
- Be careful not to leave scratches in the print head. The printer may be damaged.
- Print head is very hot while the printer is printing, so clean the printer after cooling it sufficiently with power off.

Warning

Do not touch heated area of print-head when cleaning. Personal injury may result from static electricity, etc.

5-3 Cleaning Platen Roller

- 1) Open the media cover and print head levers and remove the media and ribbon.
- 2) While rotating the roller, remove dust or foreign substances using a dry cloth or cotton swab.
- 3) In case that adhesive substances or other contaminants remain, remove it using a cloth or cotton swab dipped in medical alcohol solution while rotating the roller.
- 4) After cleaning, use the printer after alcohol has evaporated sufficiently (1 to 2 minutes) and the surface of platen roller has completely dried up.



Platen Roller

Cotton Swab

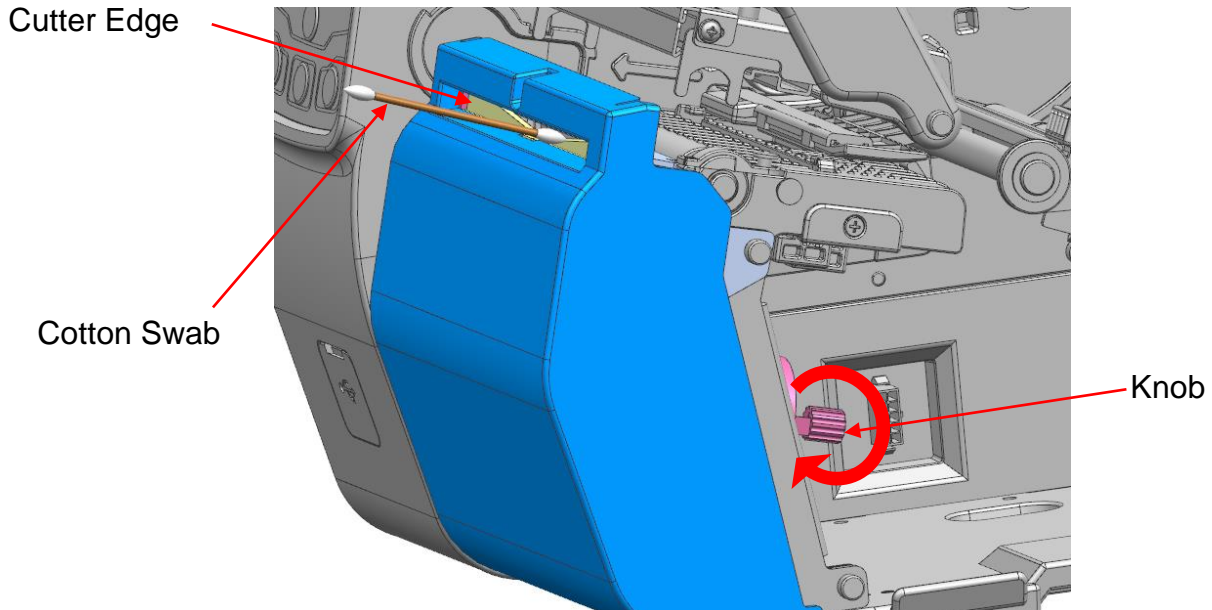


Caution

- Be sure to clean after turning the printer off.
- Be careful not to scratch the roller. The printer may be damaged.

5-4 Cleaning Auto Cutter (optional)

- 1) Open the media cover and print head levers and remove the media and ribbon.
- 2) After exposing the cutter blade completely by rotating the knob, remove dust or foreign substances using a cotton swab dipped in medical alcohol solution.



- 3) After cleaning, use the printer after alcohol has evaporated sufficiently (1 to 2 minutes) and the cutter blade has completely dried up.

⚠ Caution

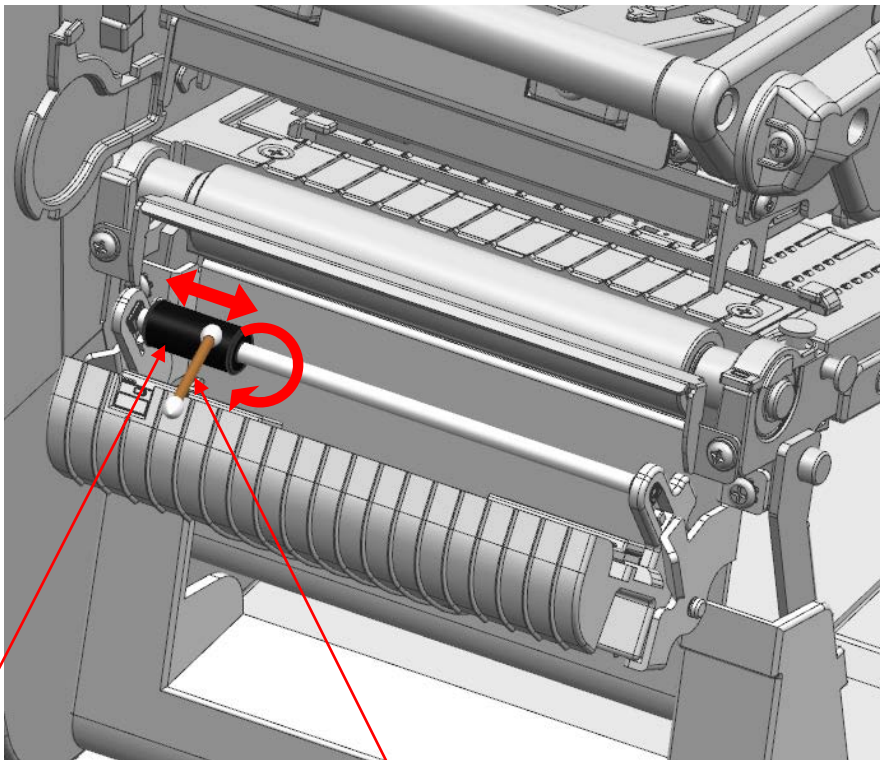
- Be sure to clean after turning the printer off.
- Be careful not to scratch the cutter blade.
The printer may be damaged.

⚠ Warning

**Do not touch cutter edge of auto cutter when cleaning.
This can cause serious bodily injury.**

5-5 Cleaning Peeler Module (optional)

- 1) Open the media cover, print head levers, and peeler cover and remove the media and ribbon.
- 2) While rotating the roller, remove dust or foreign substances using a dry cloth or cotton swab.
- 3) In case that adhesive substances or other contaminants remain, while rotating the roller, remove it using a cloth or cotton swab dipped in medical alcohol solution.
- 4) After cleaning, use the printer after alcohol has evaporated sufficiently (1 to 2 minutes) and the surface of peeler roller has completely dried up.



Roller

Cotton Swab



Caution

- Be sure to clean after turning the printer off.
- Be careful not to scratch the roller. The printer may be damaged.

6. Printer Specifications

Item		Description
Printer	Printing Method	Thermal transfer / Thermal method
	Dot Density	XT5-40: 203dpi (8 dot/mm) XT5-43: 300dpi (11.8 dot/mm) XT5-46: 600dpi (23.6 dot/mm)
	Print Width	XT5-40: Max 104mm XT5-43: Max 105.7mm XT5-46: Max 105.6mm
	Print Speed	XT5-40: Max 356mm/sec (Max 14ips) XT5-43: Max 254mm/sec (Max 10ips) XT5-46: Max 127mm/sec (Max 5ips)
Media	Width	25 ~ 114mm
	Outer Diameter	Max 203mm
	Inner Diameter	38.1~76.2mm (1.5 ~ 3 Inch), 25.4mm (1 Inch Option)
Ribbon	Length/Width	Max 450m / 40 ~ 110mm (1.6 ~ 4.3 Inch)
	Type	Wax, Wax resin, Resin, Outside, Inside
	Inner Diameter	25.4mm (1 Inch)
AC/DC Enclosed	Input Voltage	AC 100~120V / AC 200~240V
	Input Frequency	50/60Hz
	Output Voltage/ Current	DC 24V / 7.5A
Usage Conditions	Temperature	5~ 40 °C (Operating) -20 ~ 60 °C (Storage)
	Humidity (except for Media)	10 ~ 80 % RH (Operating) 10 ~ 90 % RH (Storage)



Note

Print speed may vary depending on the data transfer speed and the combination of command.



Caution

- In case of danger, turn off the power to cut the connection.
- The power cord must be grounded to ensure safety and reduce electromagnetic interference

Copyright

© BIXOLON Co., Ltd. All rights reserved.

This user manual and all property of the product are protected under copyright law. It is strictly prohibited to copy, store, and transmit the whole or any part of the manual and any property of the product without the prior written approval of BIXOLON Co., Ltd. The information contained herein is designed only for use with this BIXOLON product. BIXOLON is not responsible for any direct or indirect damages, arising from or related to use of this information.

- The BIXOLON logo is the registered trademark of BIXOLON Co., Ltd.
- All other brand or product names are trademarks of their respective companies or organizations.

BIXOLON maintains ongoing efforts to enhance and upgrade the functions and quality of all our products. In the following, product specifications and/or user manual content may be changed without prior notice.

Caution

Electronics, such as printers, are prone to damage by static electricity. Therefore, to protect the printer from static electricity, be sure to turn off the printer before connecting or disconnecting the cable to the rear of the printer. If the printer is damaged by static electricity, contact your local dealer.

When the printer is operating with the media cover open, do not wear anything that can touch the drive, such as clothing, necklaces, rings, watches, or employee certificates close to it. Also, keep yourself away from the printer as it is dangerous for some parts of the body to come into contact with it. If an object or part of your body touches the drive, immediately disconnect the power cord or turn off the power switch on the back of the product.

If the battery is not replaced correctly, there is a risk of explosion. Replace only with the same model or equivalent product specified by the manufacturer. When the battery is used up, be sure to tape the terminals and insulate them and dispose at the designated place in accordance with the relevant laws and ordinances set by the state.

Warning

Hazardous moving parts

Keep fingers and other body parts away

Mise en garde

Les appareils électroniques, tels que les imprimantes, risquent d'être endommagés par l'électricité statique. Par conséquent, pour protéger l'imprimante de l'électricité statique, veillez à l'éteindre avant de connecter ou de déconnecter le câble situé à l'arrière de celle-ci. Si l'imprimante est endommagée par l'électricité statique, contactez votre revendeur local

Lorsque l'imprimante fonctionne avec le capot ouvert, ne portez rien qui puisse entrer en contact avec le mécanisme, tel que des vêtements, des colliers, des bagues, des montres ou des certificats d'employé à proximité. Éloignez-vous également de l'imprimante car il est dangereux que certaines parties du corps entrent en contact avec celle-ci. Si un objet ou une partie de votre corps entre en contact avec le mécanisme, débranchez immédiatement le câble d'alimentation ou éteignez l'interrupteur situé à l'arrière du produit.

Si la batterie n'est pas remplacée correctement, il existe un risque d'explosion. Remplacez-la uniquement avec le même modèle ou un produit équivalent approuvé par le fabricant. Lorsque la batterie est épuisée, veillez à coller du ruban adhésif sur les bornes, à l'isoler et à la jeter de manière adéquate, conformément aux lois et réglementations locales et nationales en vigueur.

Attention

Pièces mobiles dangereuses

Veillez à ce que vos doigts ou toute partie du corps n'entre(nt) pas en contact avec ces pièces.

Compliance information

This device complies with Part 15 of the FCC Rules. Operation is subject to the following two conditions: (1) This device may not cause harmful interference, and (2) This device must accept any interference received, including interference that may cause undesired operation.

This equipment has been tested and found to comply with the limits for a Class A digital device pursuant to Part 15 of the FCC Rules. These limits are designed to provide reasonable protection against harmful interference when the equipment is operated in a commercial environment. This equipment generates uses, and can radiate radio frequency energy and, if not installed and used in accordance with the instruction manual, may cause harmful interference to radio communications. Operation of this equipment in a residential area is likely to cause harmful interference in which case the user will be required to correct the interference at his own expense.

Caution: Exposure to Radio Frequency Radiation.

To comply with FCC RF exposure compliance requirements, a separation distance of at least 20 cm must be maintained between the antenna of this device and all persons.

Caution: Any Changes or modifications not expressly approved by the manufacturer could void the user's authority to operate the equipment.

Class A Digital Device : Wired Device

This Apparatus complies with class "A" limits for radio interference as specified in the Canadian department of communications radio interference regulations.

This Class A digital apparatus complies with Canadian ICES-003.

Appareil numérique de classe A: appareil filaire

Get appareil est conforme aux normes class "A" d'interference radio tel que specifier par ministre canadien des communications dans les reglements d'interference radio.

Cet appareil numérique de la classe A est conform à la norme NMB-003 du Canada.

Waste Electrical and Electric Equipment (WEEE)



This marking shown on the product or its literature, indicates that it should not be disposed with other household wastes at the end of its working life. To prevent possible harm to the environment or human health from uncontrolled waste disposal, please separate this from other types of wastes and recycle it responsibly to promote the sustainable reuse of material resources. Household users should contact either the retailer where they purchased this product, or their local government office, for details of where and how they can take this item for environmentally safe recycling. Business users should contact their supplier and check the terms and conditions of the purchase contract. This product should not be mixed with other commercial wastes for disposal.

